



CLOSED

4"
102mm

23"
584mm



OPEN

28 1/8"
714mm

41 1/4"
1048mm

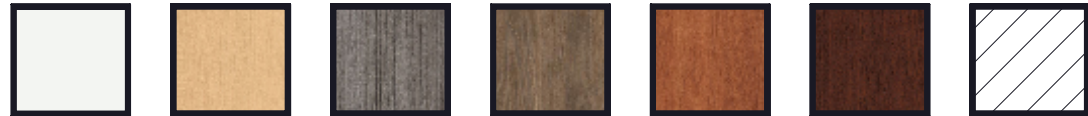
12 7/8"
327mm

WILD CHERRY
CW1-6030-7054
SHOWN

STANDARD PART NUMBERS AND AVAILABLE COLORS**

#60 FINISH STANDARD

FROSTY WHITE CW1-6030-1573	FUSION MAPLE CW1-6030-7909	PORTICO TEAK CW1-6030-8210	RUSSET ALONA CW1-6030-Y0291	WILD CHERRY CW1-6030-7054	BRIGHTON WALNUT CW1-6030-7922	OTHER COLORS CALL PROXIMITY CW1-6030-9999
----------------------------------	----------------------------------	----------------------------------	-----------------------------------	---------------------------------	-------------------------------------	---



CW1284104B2NONNNND



SPECIFICATIONS

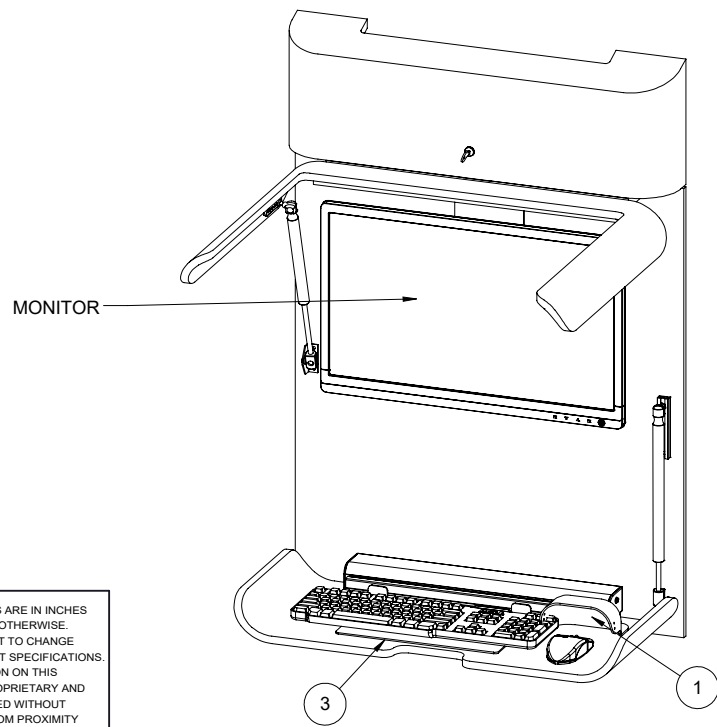
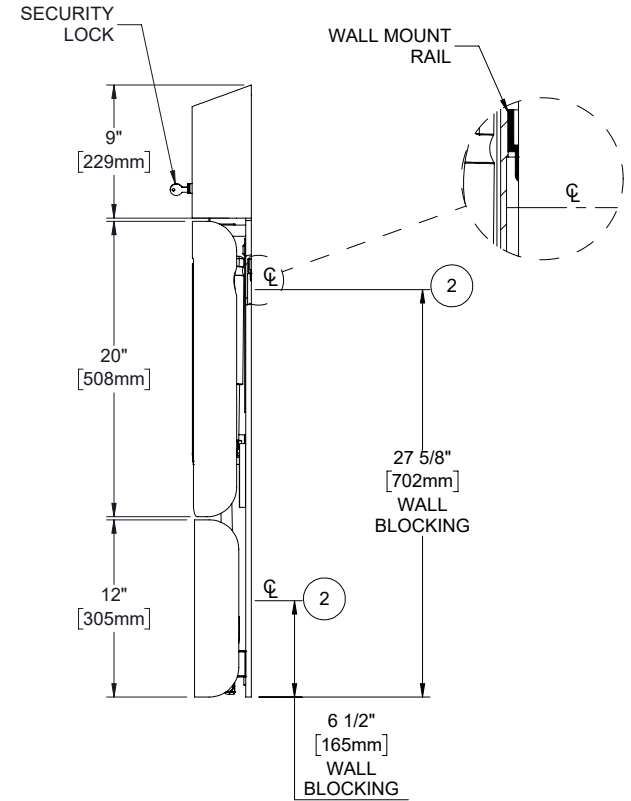
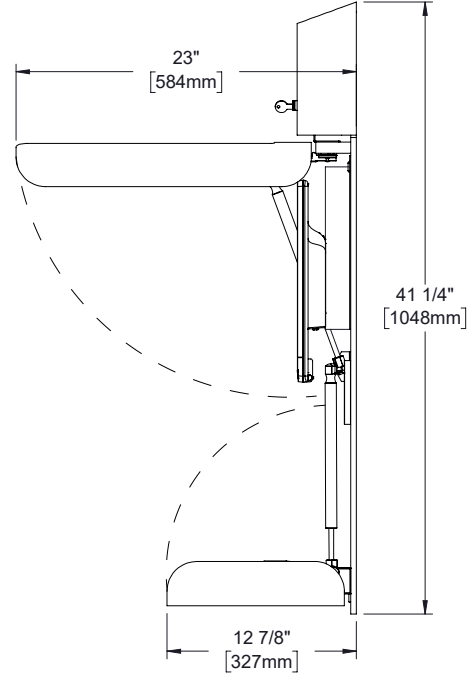
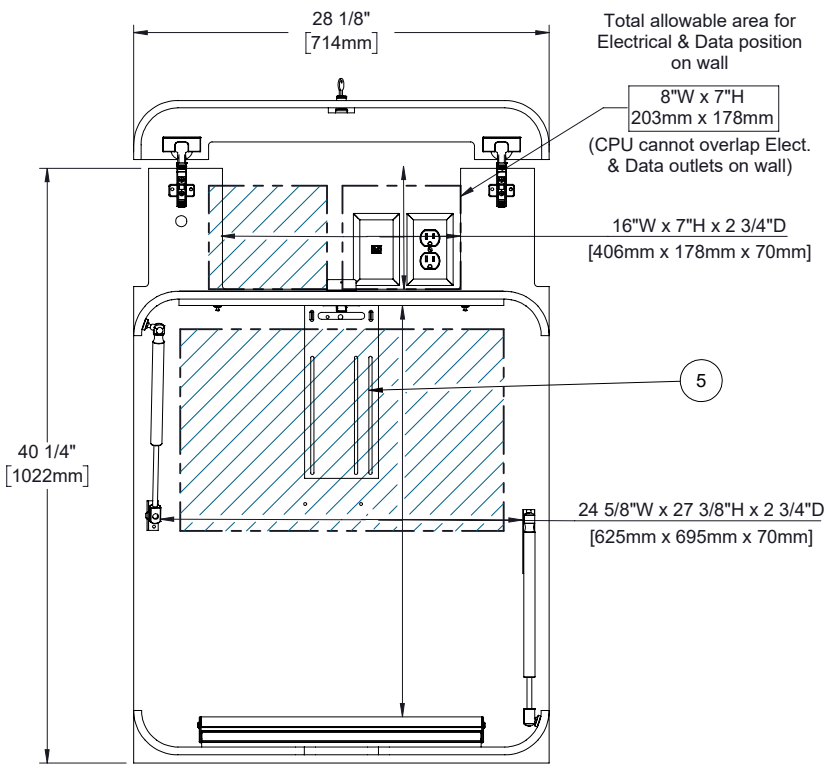
*ASSUMES VESA HOLE PATTERN IS CENTERED ON MONITOR

EQUIPMENT	MAX SIZE DIMENSIONS
CPU	7"W x 7"H x 1 1/2"D
*MONITOR	23"W x 15"H x 2 1/2"D
KEYBOARD/MOUSE AREA	22"W x 10"D

ALL DIMENSIONS ARE IN INCHES UNLESS NOTED OTHERWISE. DESIGN SUBJECT TO CHANGE WITH EQUIPMENT SPECIFICATIONS. ALL INFORMATION ON THIS DRAWING IS PROPRIETARY AND MAY NOT BE USED WITHOUT PERMISSION FROM PROXIMITY SYSTEMS, INC. © 2020

OPTIONAL ACCESSORIES/PART NO. (NOT INCLUDED)

1.	N/A
2.	N/A
3.	N/A



COMPONENTS INCLUDED	
ITEM NO.	COMPONENTS
1	MOUSE HOLDER
2	WALL MOUNT RAIL SYSTEM
3	KEYBOARD TRAY
4	N/A
5	MONITOR BRACKET MOUNT
R: A	SHEET 2 OF 2

CW1284104B2NONNNND



ALL DIMENSIONS ARE IN INCHES UNLESS NOTED OTHERWISE. DESIGN SUBJECT TO CHANGE WITH EQUIPMENT SPECIFICATIONS. ALL INFORMATION ON THIS DRAWING IS PROPRIETARY AND MAY NOT BE USED WITHOUT PERMISSION FROM PROXIMITY SYSTEMS, INC. © 2020.