



**CLOSED**

WILD CHERRY  
CXT-6032-7054  
SHOWN



**OPEN**

**STANDARD PART NUMBERS AND AVAILABLE COLORS\*\***

#60 FINISH STANDARD

FROSTY WHITE	FUSION MAPLE	PORTICO TEAK	RUSSET ALONA	WILD CHERRY	BRIGHTON WALNUT	OTHER COLORS CALL PROXIMITY
CXT-6032-1573	CXT-6032-7909	CXT-6032-8210	CXT-6032-Y0291	CXT-6032-7054	CXT-6032-7922	CXT-6032-9999

CXT283805B2NNLNNND



**SPECIFICATIONS**

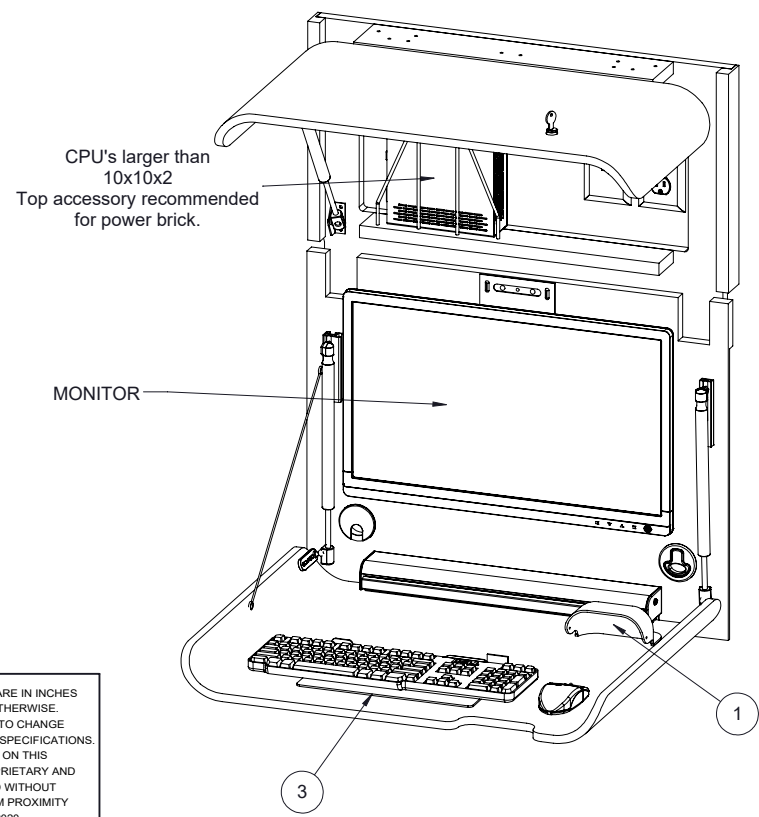
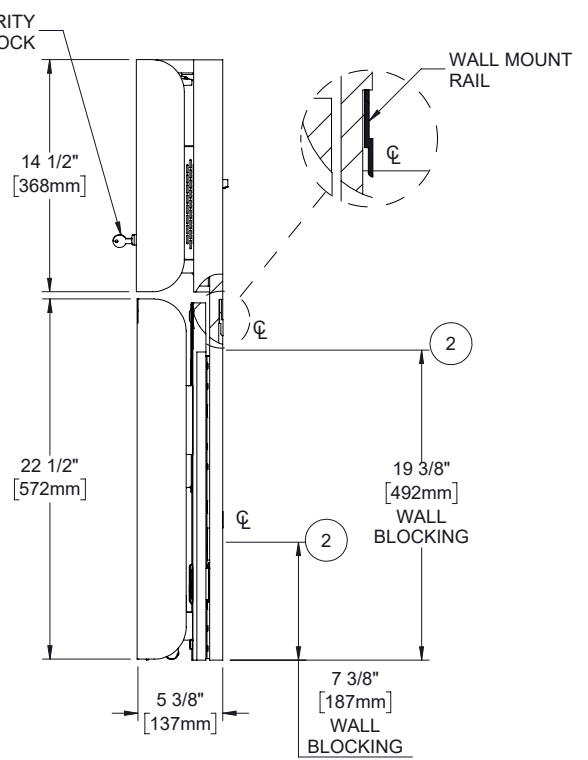
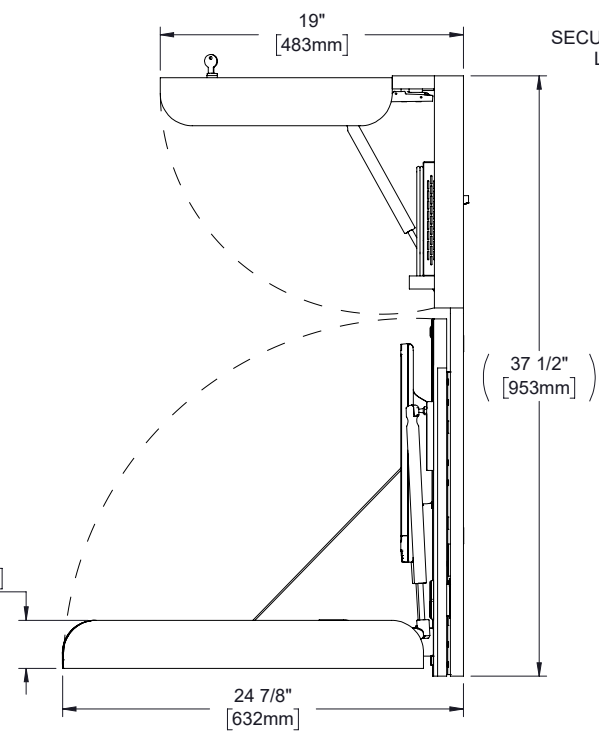
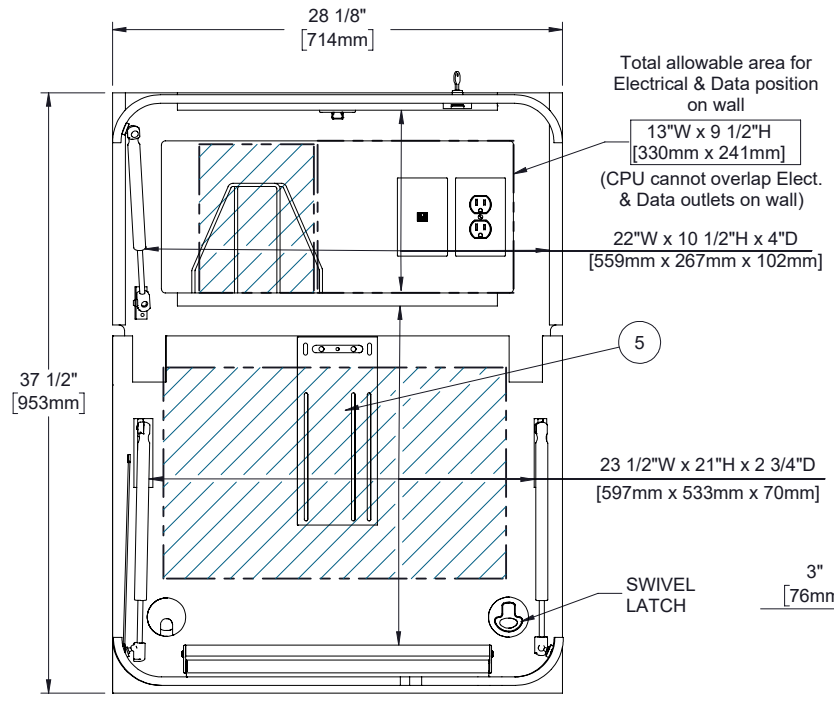
\*ASSUMES VESA HOLE PATTERN IS CENTERED ON MONITOR

EQUIPMENT	MAX SIZE DIMENSIONS
CPU	15"W x 10 1/2"H x 3 3/4"D
*MONITOR	23"W x 13 1/2"H x 2 3/4"D
KEYBOARD/MOUSE AREA	22"W x 20"D

ALL DIMENSIONS ARE IN INCHES UNLESS NOTED OTHERWISE. DESIGN SUBJECT TO CHANGE WITH EQUIPMENT SPECIFICATIONS. ALL INFORMATION ON THIS DRAWING IS PROPRIETARY AND MAY NOT BE USED WITHOUT PERMISSION FROM PROXIMITY SYSTEMS, INC. © 2020.

**OPTIONAL ACCESSORIES/PART NO. (NOT INCLUDED)**

1.	SLOPED CABINET TOP: AC-CTOP-5-XXXX
2.	N/A
3.	N/A



COMPONENTS INCLUDED	
ITEM NO.	COMPONENTS
1	MOUSE CATCHER
2	WALL MOUNT RAIL SYSTEM
3	KEYBOARD TRAY
4	N/A
5	MONITOR BRACKET MOUNT
R: A	SHEET 2 OF 2

CXT283805B2NNLNNND



ALL DIMENSIONS ARE IN INCHES UNLESS NOTED OTHERWISE. DESIGN SUBJECT TO CHANGE WITH EQUIPMENT SPECIFICATIONS. ALL INFORMATION ON THIS DRAWING IS PROPRIETARY AND MAY NOT BE USED WITHOUT PERMISSION FROM PROXIMITY SYSTEMS, INC. © 2020.