



CLOSED



OPEN

WILD CHERRY
CXT-6034-7054
SHOWN

STANDARD PART NUMBERS AND AVAILABLE COLORS**

#60 FINISH STANDARD

FROSTY WHITE	FUSION MAPLE	PORTICO TEAK	RUSSET ALONA	WILD CHERRY	BRIGHTON WALNUT	OTHER COLORS CALL PROXIMITY
CXT-6034-1573	CXT-6034-7909	CXT-6034-8210	CXT-6034-Y0291	CXT-6034-7054	CXT-6034-7922	CXT-6034-9999

CXT283706B2NNNNND



SPECIFICATIONS

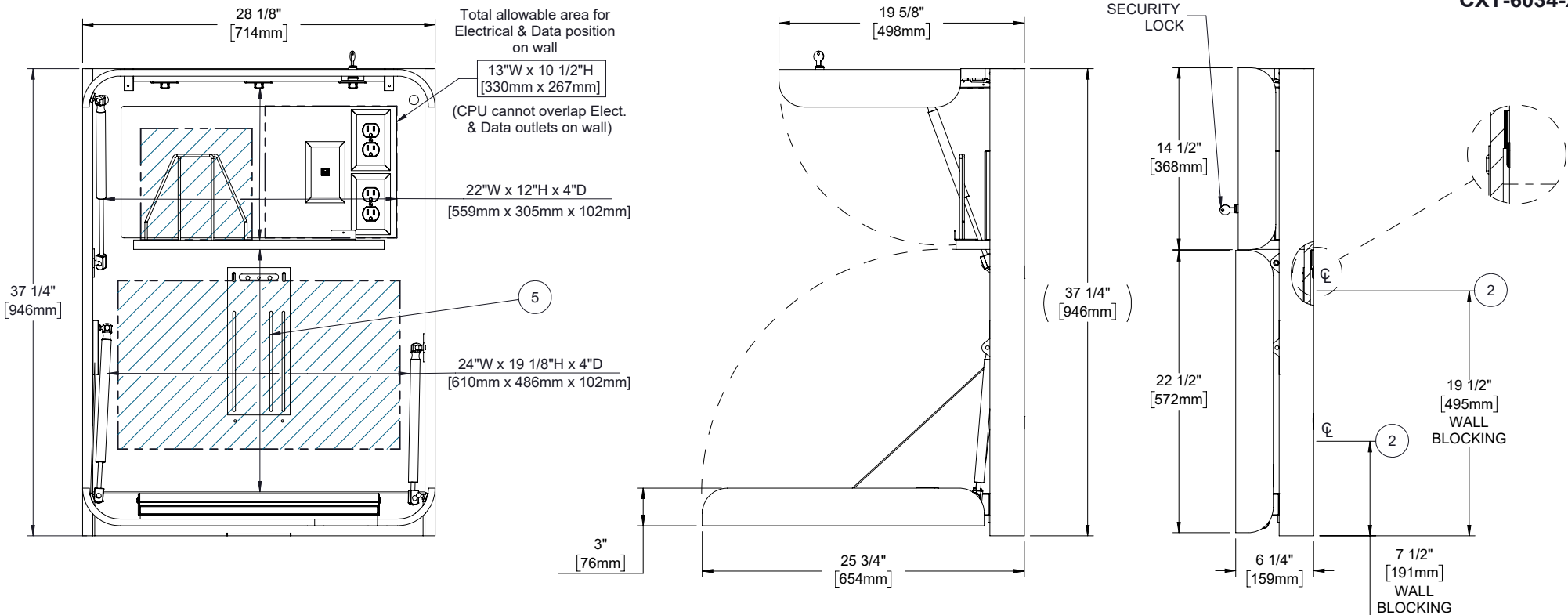
*ASSUMES VESA HOLE PATTERN IS CENTERED ON MONITOR

EQUIPMENT	MAX SIZE DIMENSIONS
CPU	15"W x 12"H x 4"D
*MONITOR	23"W x 15"H x 2 1/2"D
KEYBOARD/MOUSE AREA	22"W x 20"D

ALL DIMENSIONS ARE IN INCHES UNLESS NOTED OTHERWISE. DESIGN SUBJECT TO CHANGE WITH EQUIPMENT SPECIFICATIONS. ALL INFORMATION ON THIS DRAWING IS PROPRIETARY AND MAY NOT BE USED WITHOUT PERMISSION FROM PROXIMITY SYSTEMS, INC. © 2020.

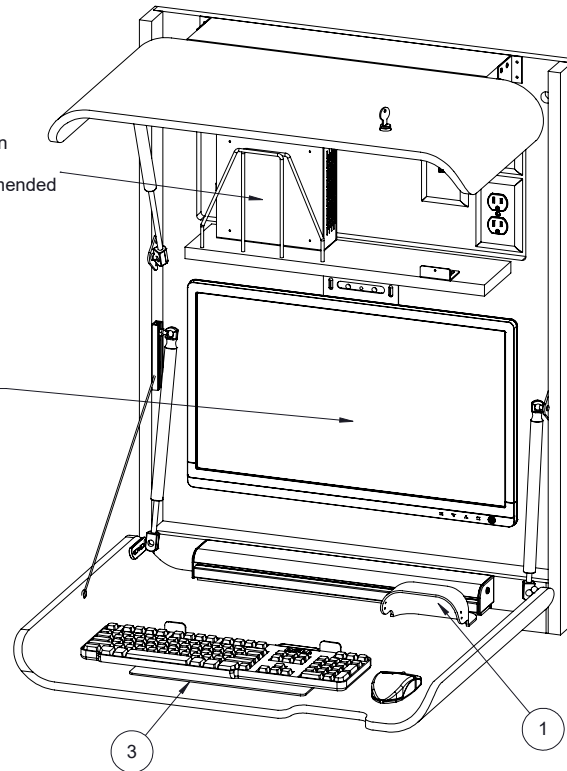
OPTIONAL ACCESSORIES/PART NO. (NOT INCLUDED)

1.	SLOPED CABINET TOP: AC-CTOP-6-XXXX
3.	LED LIGHT: AC-LED-LIGHT
5.	UV C SURFACE MOUNT: UVC-SM-NA



CPU's larger than 10x10x2
Top accessory recommended for power brick.

MONITOR



COMPONENTS INCLUDED	
ITEM NO.	COMPONENTS
1	MOUSE CATCHER
2	WALL MOUNT RAIL SYSTEM
3	KEYBOARD TRAY
4	N/A
5	MONITOR BRACKET MOUNT
R: A	SHEET 2 OF 2

CXT283706B2NNNNND

PROXIMITY

ALL DIMENSIONS ARE IN INCHES UNLESS NOTED OTHERWISE. DESIGN SUBJECT TO CHANGE WITH EQUIPMENT SPECIFICATIONS. ALL INFORMATION ON THIS DRAWING IS PROPRIETARY AND MAY NOT BE USED WITHOUT PERMISSION FROM PROXIMITY SYSTEMS, INC. © 2020.