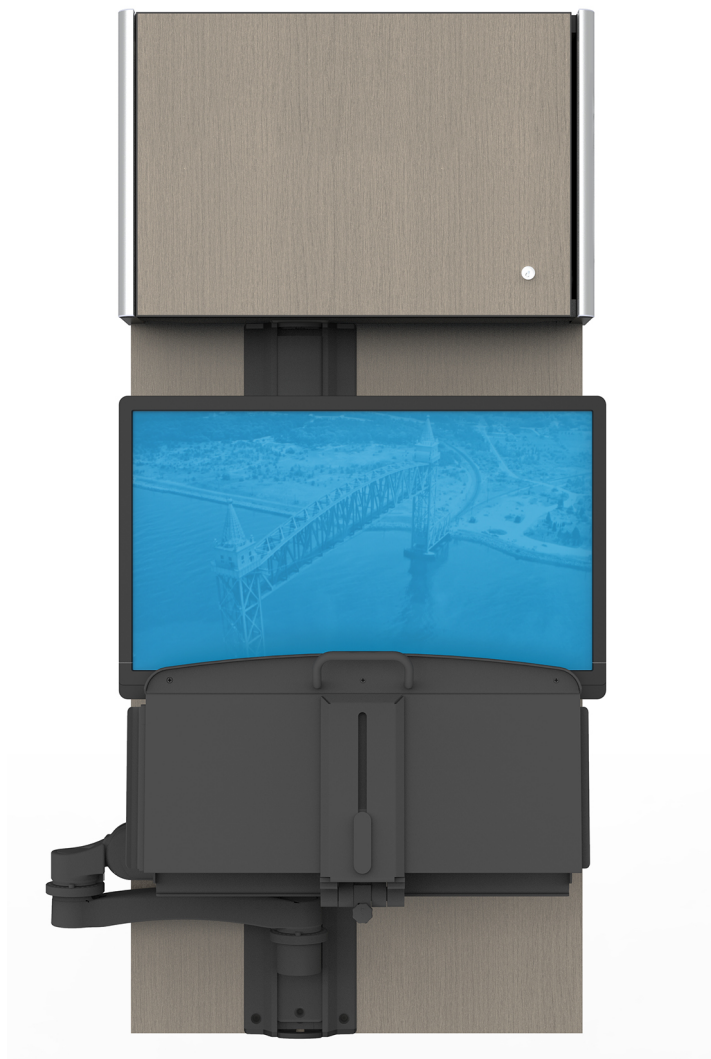
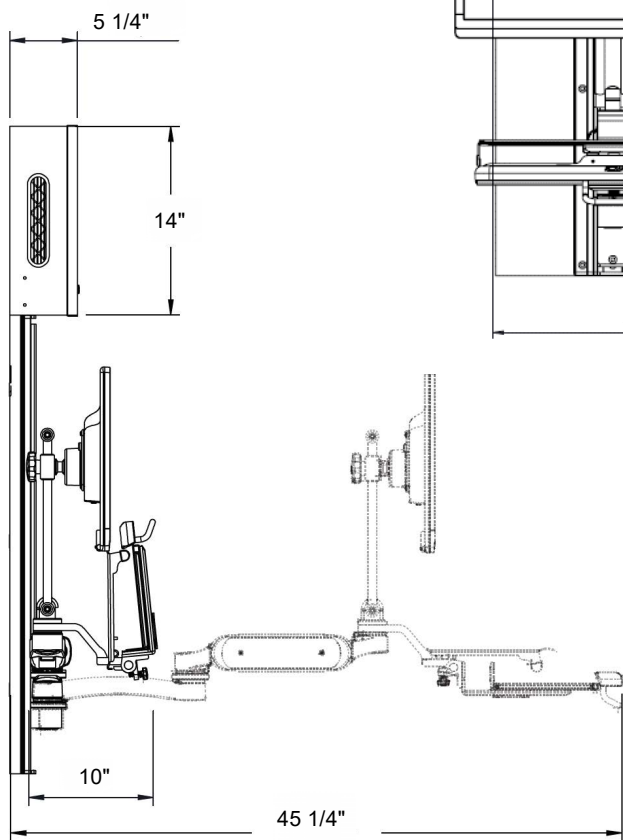
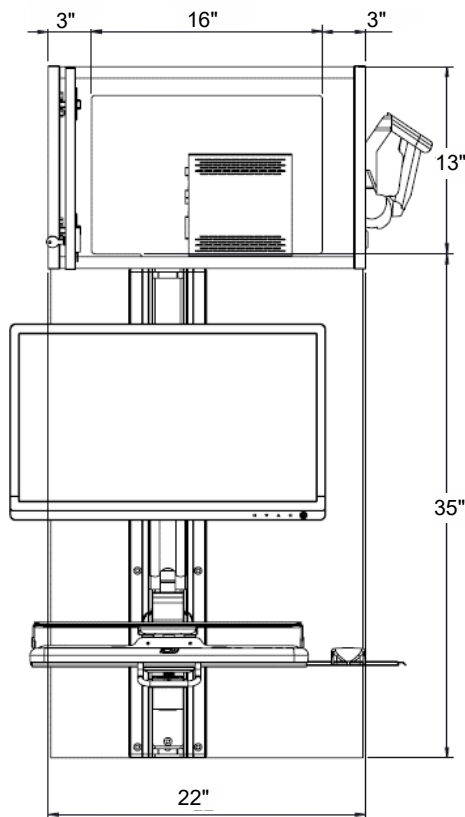


EXA-6200 Open Arm Cabinet



Flexible and Secure

Proximity's Open Arm Cabinet offers the best of both worlds. Conceal CPU and cables while keeping the range-of-motion needed to best interact with patients. This unit is 22" wide X 48" tall. Featuring a low profile upper cabinet depth of just 5.25".



Adjustable for better patient interaction

Flexibility

Work standing or sitting, with ability to adjust unit 16" to preferred height and comfort.

Secure CPU

Key locking security for CPU or Thin Client.

Patient Engagement

Articulating arm offers improved interaction with patients. Supports swivel of 180° horizontally.

Compact

Keep monitor, keyboard, and mouse stowed 10 inches from the wall when not in use.

Clean

All IT cables are concealed through the arms, joints, and covered wall track.

Custom

Easily mount articulating arm on either right or left side of cabinet.

Accessories:

- UV-Clean
- Scanner Bracket

6 Standard Color Options

(more colors available upon request)



PROXIMITY