



CLOSED



OPEN

WILD CHERRY
SHOWN

9 1/4"

26 3/8"

ELECTRICAL & DATA
69" \varnothing AFF.
REFERENCE PAGE 3
FOR EXACT LOCATION

47"

28 7/8"

28 1/8"



CWT284709B2NNNNNNN

SPECIFICATIONS

*ASSUMES VESA HOLE PATTERN IS CENTERED ON MONITOR

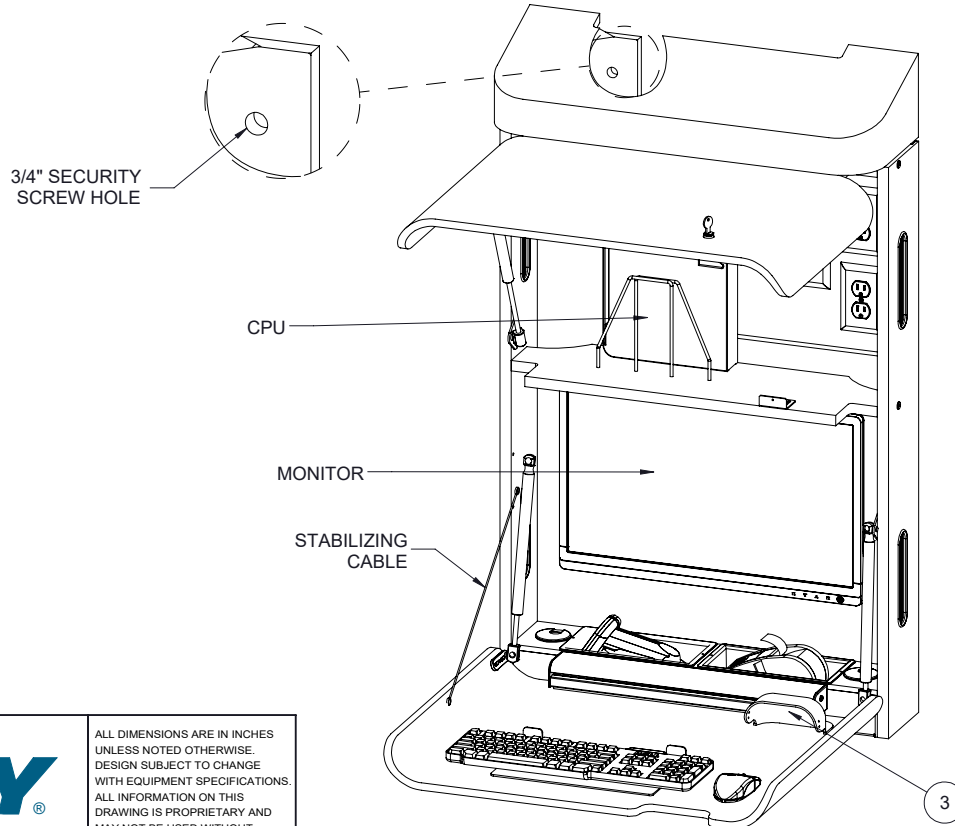
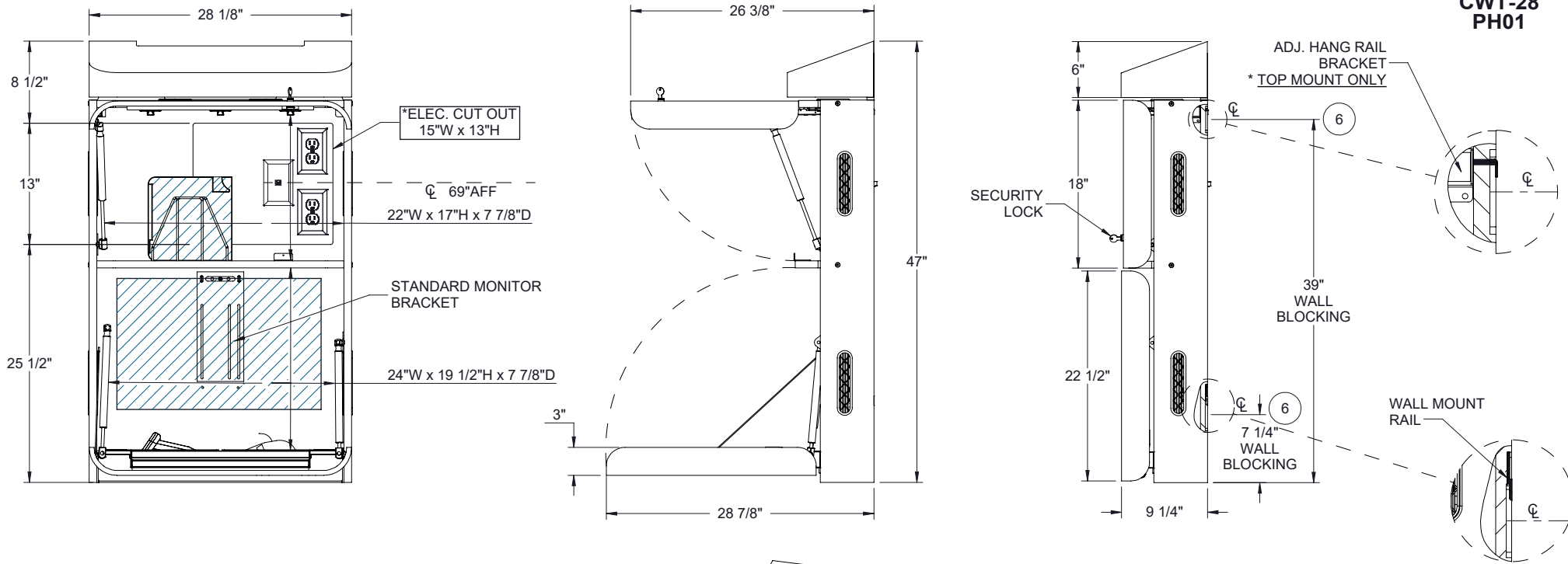
EQUIPMENT	MAX SIZE DIMENSIONS
CPU	15"W x 15"H x 6"D
*MONITOR	23"W x 15"H x 4 1/2"D
KEYBOARD / MOUSE AREA	22"W x 20"D

ALL DIMENSIONS ARE IN INCHES
UNLESS NOTED OTHERWISE.
DESIGN SUBJECT TO CHANGE
WITH EQUIPMENT SPECIFICATIONS.
ALL INFORMATION ON THIS
DRAWING IS PROPRIETARY AND
MAY NOT BE USED WITHOUT
PERMISSION FROM PROXIMITY
SYSTEMS, INC. © 2022.

INCLUDED

1. N/A
2. N/A
3. N/A

PROXIMITY



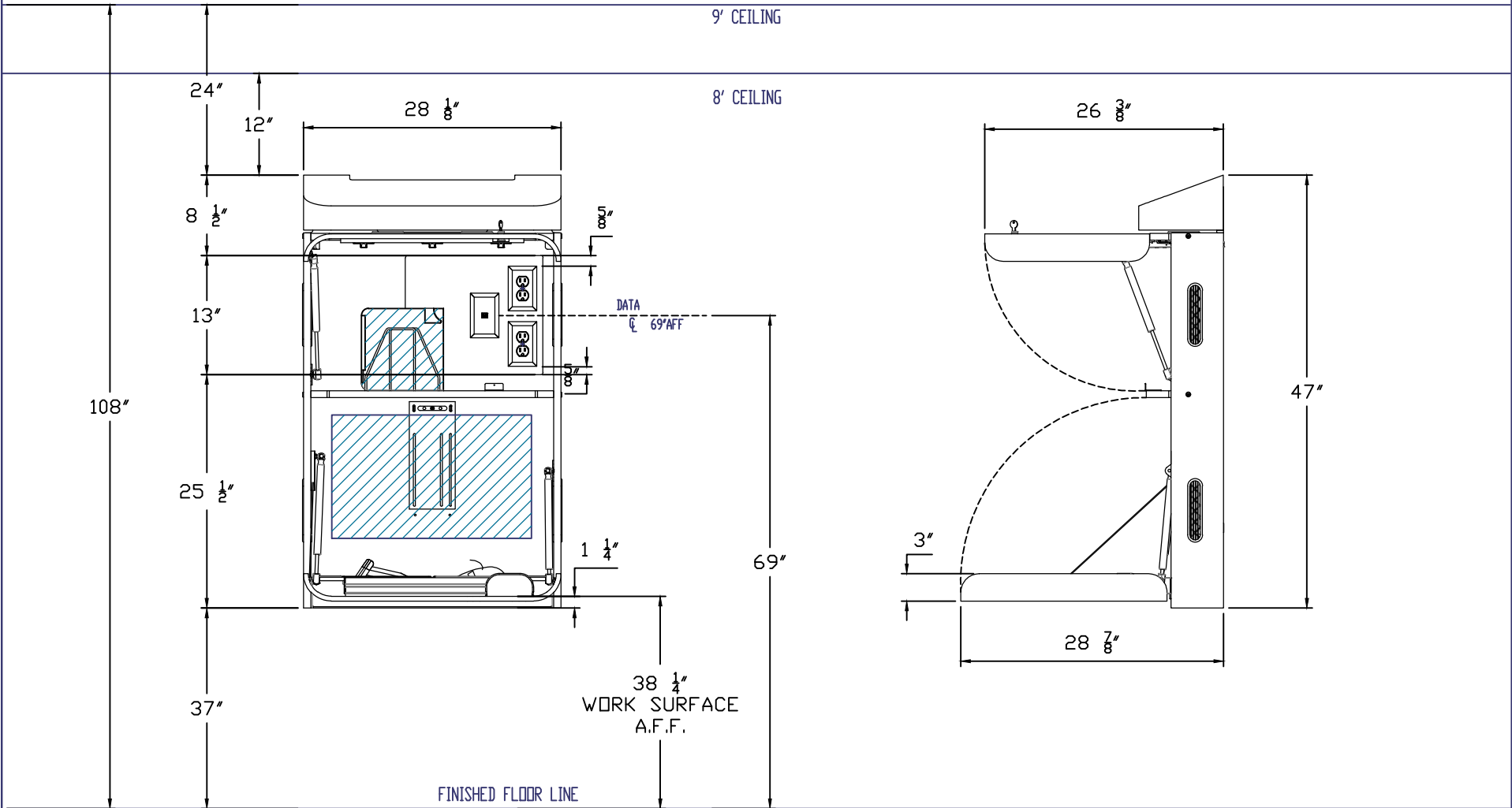
AVAILABLE ACCESSORIES	
ITEM NO.	COMPONENTS (*NOT ALL ACCESSORIES SHOWN)
1	*LED LIGHT
2	*MONITOR ARM SWIVEL
3	MOUSE CATCHER
4	*TILT MONITOR BRACKET
5	*UVC - SURFACE MOUNT
6	WALL MOUNT RAIL SYSTEM
7	*STANDARD ACCESSORY KIT



CWT284709B2NNNNNNN



ALL DIMENSIONS ARE IN INCHES UNLESS NOTED OTHERWISE. DESIGN SUBJECT TO CHANGE WITH EQUIPMENT SPECIFICATIONS. ALL INFORMATION ON THIS DRAWING IS PROPRIETARY AND MAY NOT BE USED WITHOUT PERMISSION FROM PROXIMITY SYSTEMS, INC. © 2022.



CWT284709B2NNNNNNN

PROXIMITY

WWW.PROXIMITYSYSTEMS.COM

TEL: 800-437-8111

ALL DIMENSIONS ARE IN INCHES
UNLESS NOTED OTHERWISE.
DESIGN SUBJECT TO CHANGE
WITH EQUIPMENT SPECIFICATIONS.
ALL INFORMATION ON THIS
DRAWING IS PROPRIETARY AND
MAY NOT BE USED WITHOUT
PERMISSION FROM PROXIMITY
SYSTEMS, INC. ©2021.

SITE BASED DECISION
EXAMPLE ILLUSTRATED
ABOVE

