



CLOSED



ELECTRICAL & DATA
78" \varnothing AFF.
REFERENCE PAGE 3
FOR EXACT LOCATION

OPEN

WILD CHERRY
SHOWN



CWT285909B3NNNFNN

SPECIFICATIONS

*ASSUMES VESA HOLE PATTERN IS CENTERED ON MONITOR

EQUIPMENT	MAX SIZE DIMENSIONS
CPU	15"W x 13"H x 6"D
*MONITOR	23"W x 15"H x 4 1/2"D
KEYBOARD / MOUSE AREA	22"W x 20"D

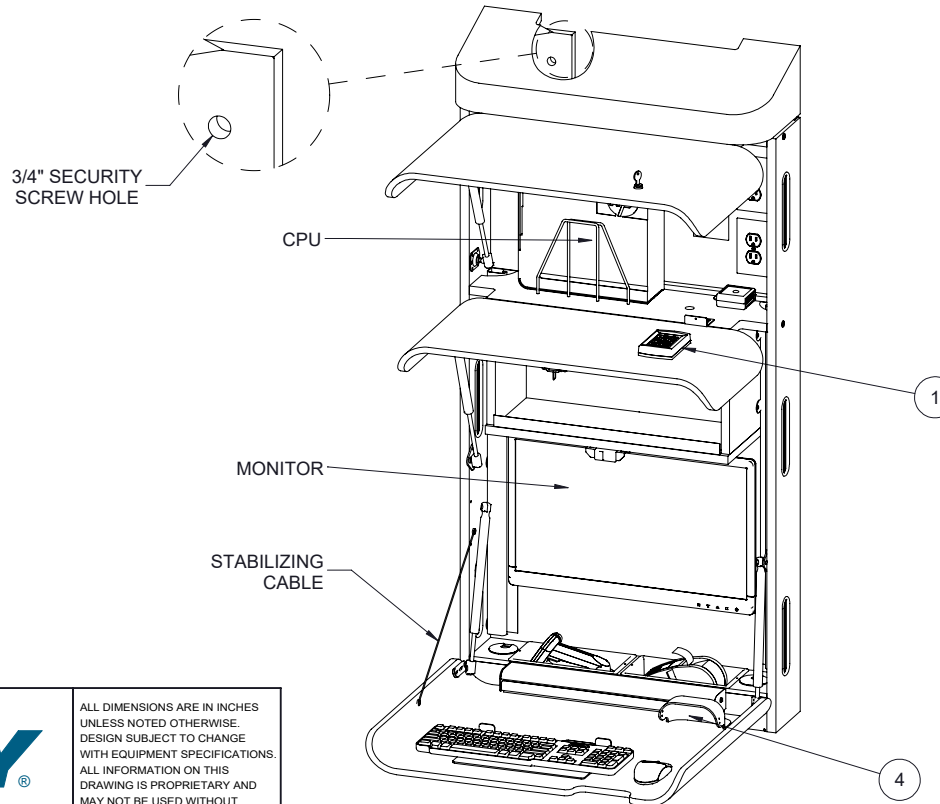
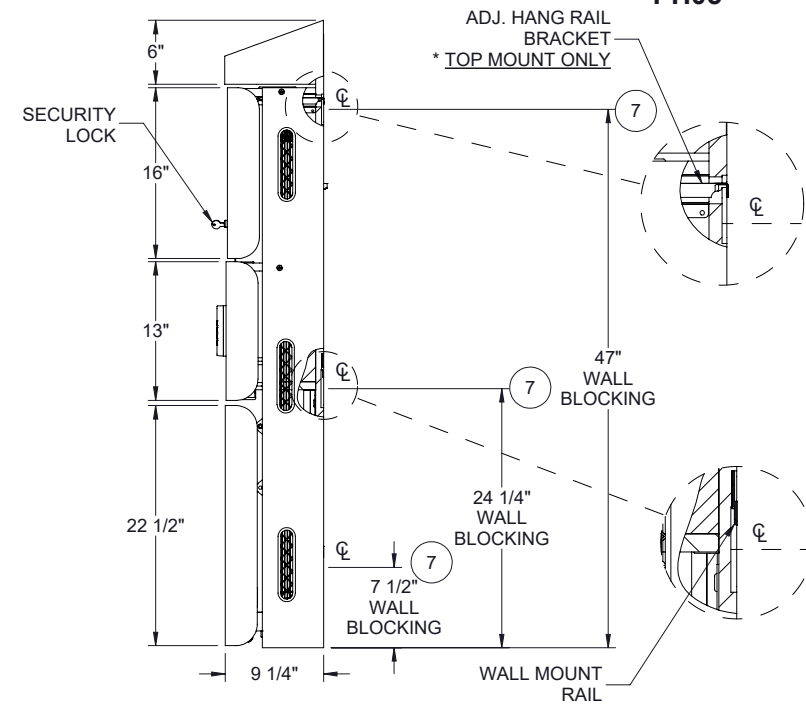
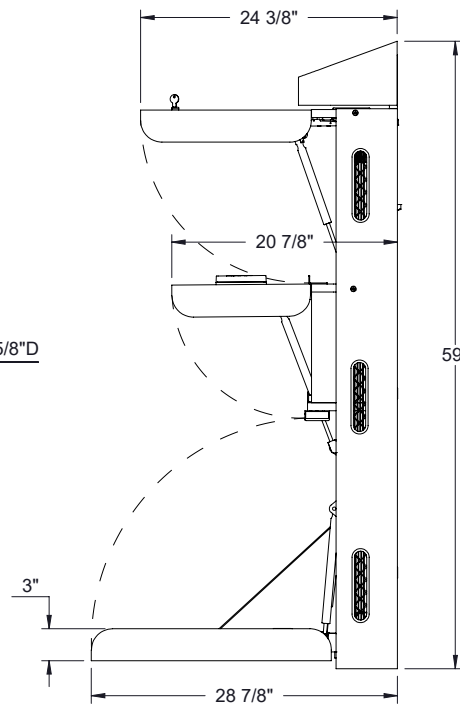
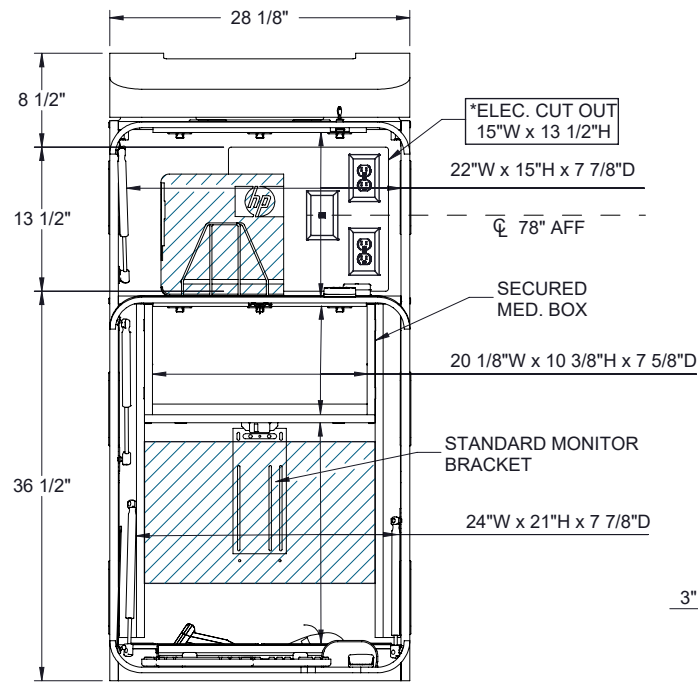
ALL DIMENSIONS ARE IN INCHES
UNLESS NOTED OTHERWISE.
DESIGN SUBJECT TO CHANGE
WITH EQUIPMENT SPECIFICATIONS.
ALL INFORMATION ON THIS
DRAWING IS PROPRIETARY AND
MAY NOT BE USED WITHOUT
PERMISSION FROM PROXIMITY
SYSTEMS, INC. © 2023.

INCLUDED

1. N/A
2. N/A
3. N/A



**CWT-28-MED
PH05**



AVAILABLE ACCESSORIES

ITEM NO.	COMPONENTS (*NOT ALL ACCESSORIES SHOWN)
1	ELECTRONIC LOCK & KEYPAD ON FRONT
2	*LED LIGHT
3	*MONITOR ARM SWIVEL
4	MOUSE CATCHER
5	*TILT MONITOR BRACKET
6	*UVC - SURFACE MOUNT
7	WALL MOUNT RAIL SYSTEM
8	*STANDARD MED ACCESSORY KIT

R: E

SHEET 2 OF 2



CWT285909B3NNNFNNN

PROXIMITY

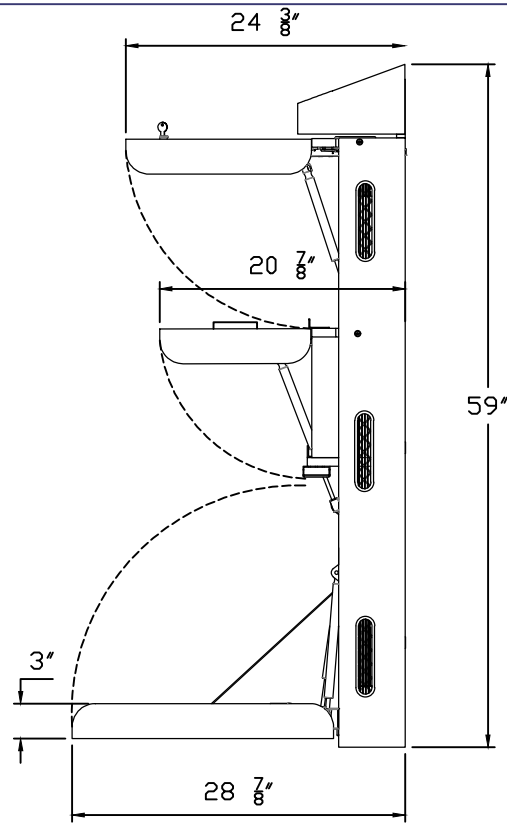
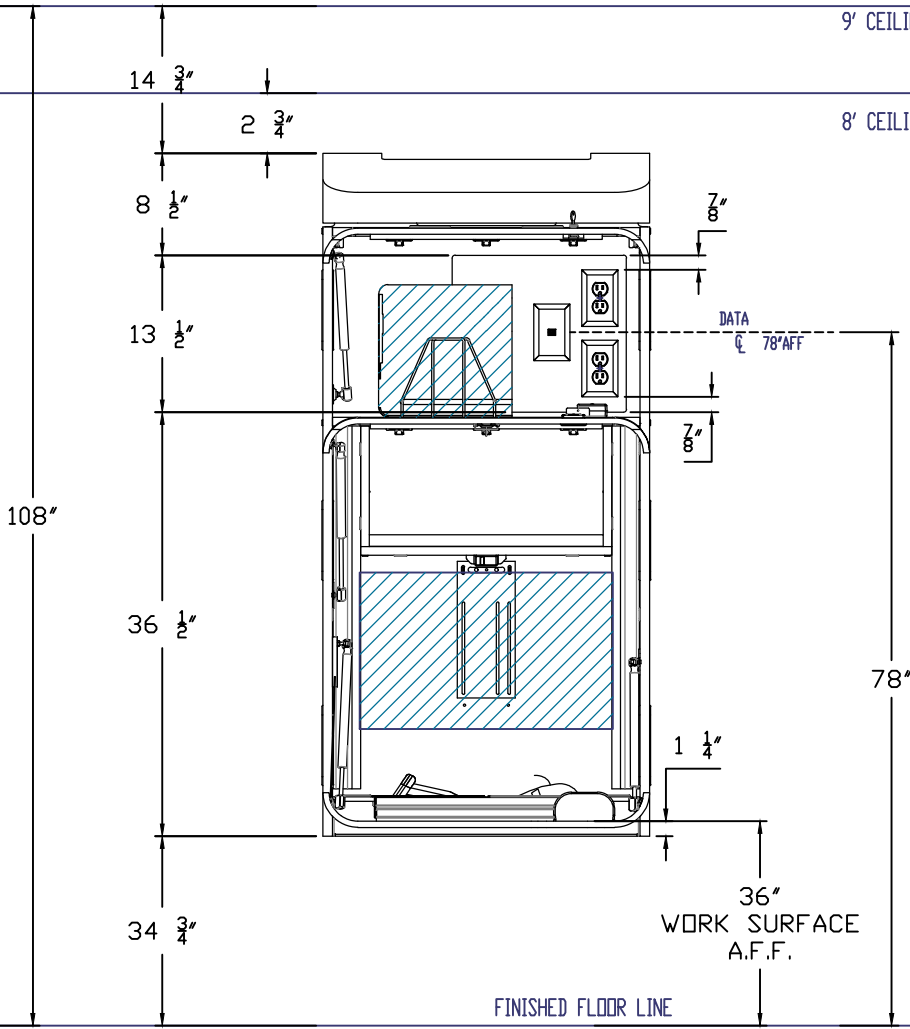
WWW.PROXIMITYSYSTEMS.COM

TEL: 800-437-8111

ALL DIMENSIONS ARE IN INCHES
UNLESS NOTED OTHERWISE.
DESIGN SUBJECT TO CHANGE
WITH EQUIPMENT SPECIFICATIONS.
ALL INFORMATION ON THIS
DRAWING IS PROPRIETARY AND
MAY NOT BE USED WITHOUT
PERMISSION FROM PROXIMITY
SYSTEMS, INC. © 2023.

9' CEILING

8' CEILING



CWT284907B3NNNFNN



WWW.PROXIMITYSYSTEMS.COM

TEL: 800-437-8111

ALL DIMENSIONS ARE IN INCHES
UNLESS NOTED OTHERWISE.
DESIGN SUBJECT TO CHANGE
WITH EQUIPMENT SPECIFICATIONS.
ALL INFORMATION ON THIS
DRAWING IS PROPRIETARY AND
MAY NOT BE USED WITHOUT
PERMISSION FROM PROXIMITY
SYSTEMS, INC. ©2021

SITE BASED DECISION
EXAMPLE ILLUSTRATED
ABOVE

