



CLOSED

WILD CHERRY
SHOWN

OPEN

MAX
SWIVEL
90°



CWT285910B3NNSFNNN

SPECIFICATIONS

*ASSUMES VESA HOLE PATTERN IS CENTERED ON MONITOR

EQUIPMENT	MAX SIZE DIMENSIONS
CPU	13"W x 15"H x 7"D
*MONITOR	23"W x 13 1/2"H x 4 1/2"D
KEYBOARD / MOUSE AREA	22"W x 20"D

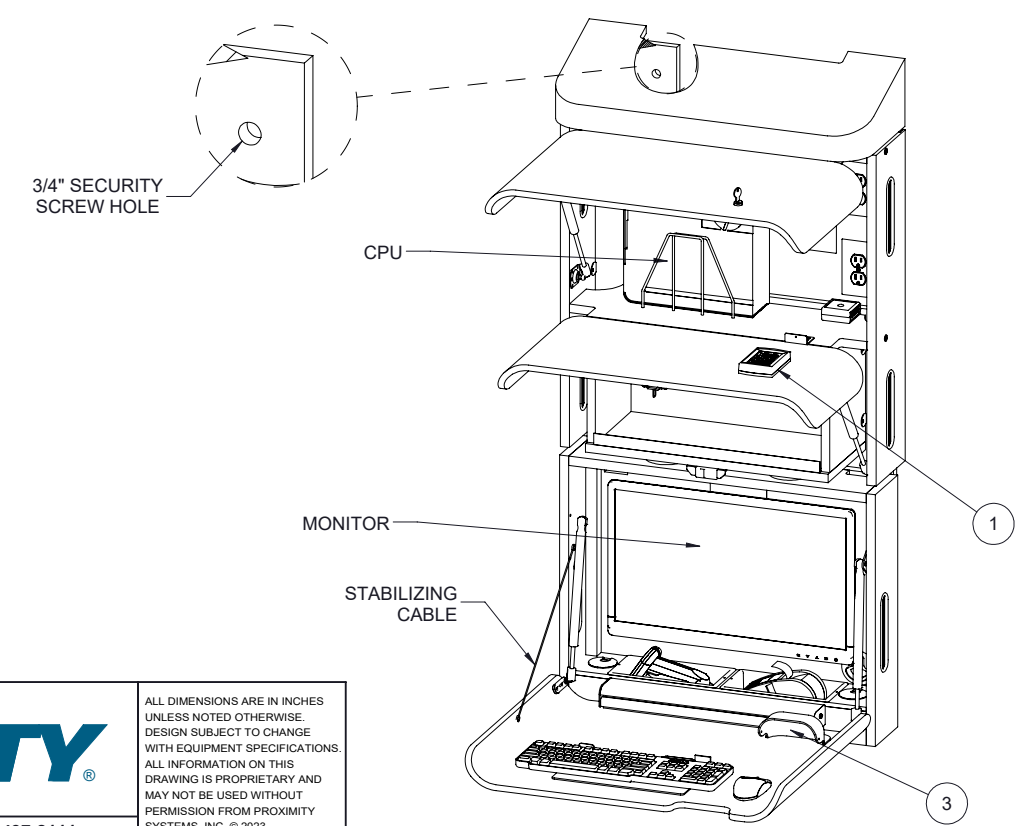
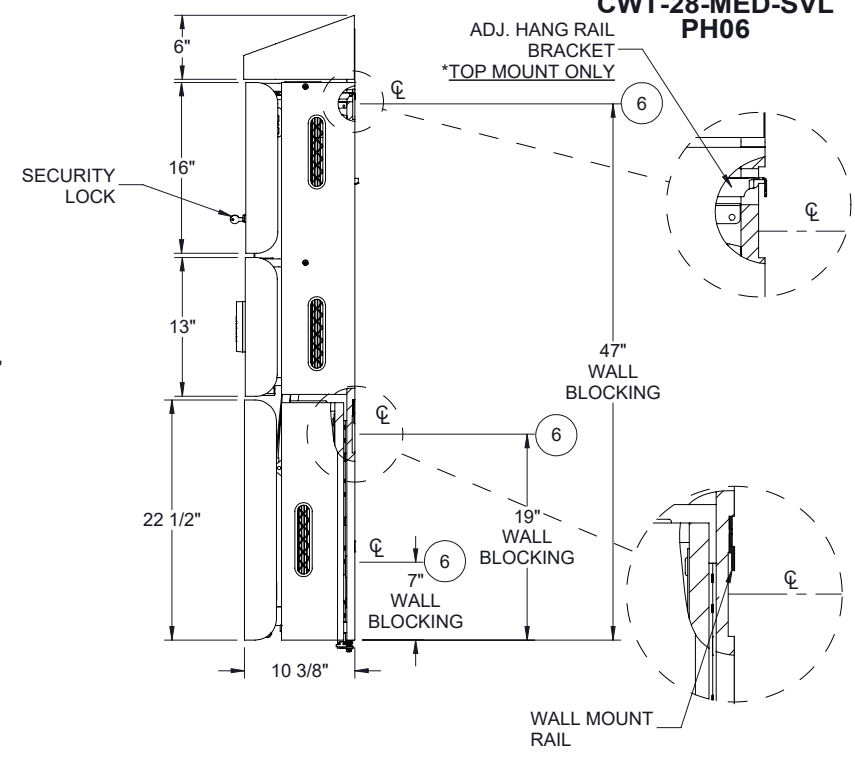
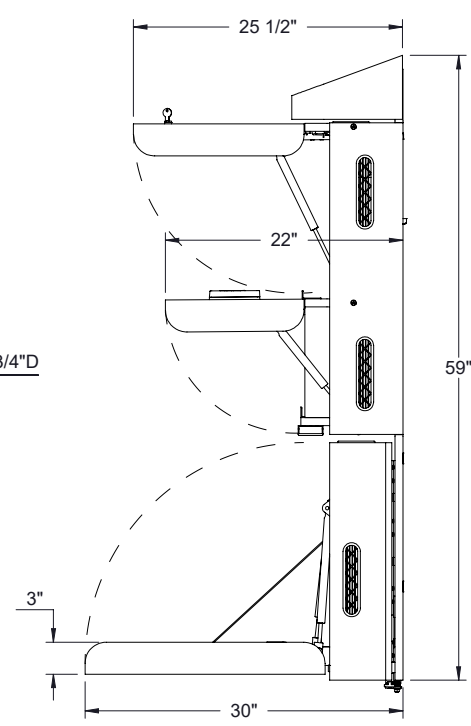
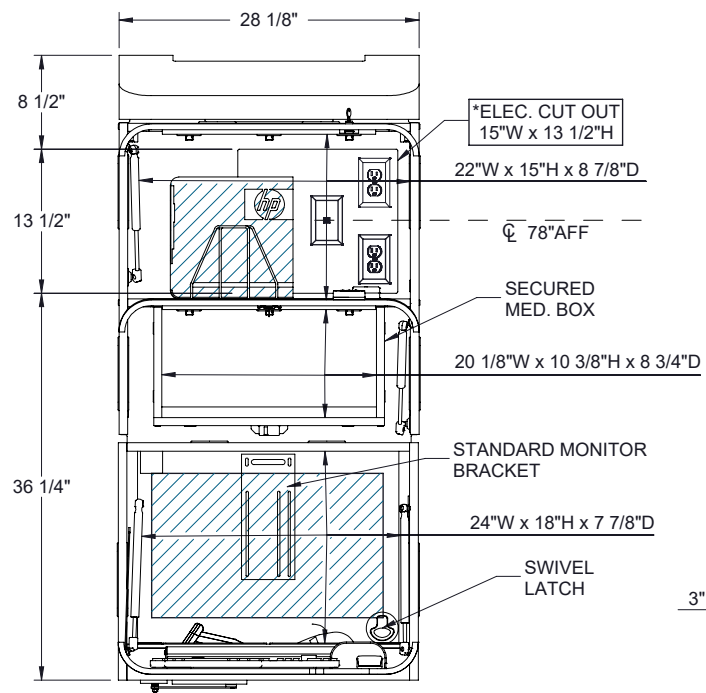
ALL DIMENSIONS ARE IN INCHES
UNLESS NOTED OTHERWISE.
DESIGN SUBJECT TO CHANGE
WITH EQUIPMENT SPECIFICATIONS.
ALL INFORMATION ON THIS
DRAWING IS PROPRIETARY AND
MAY NOT BE USED WITHOUT
PERMISSION FROM PROXIMITY
SYSTEMS, INC. © 2023.

INCLUDED

1. N/A
2. N/A
3. N/A

PROXIMITY

**CWT-28-MED-SVL
PH06**



AVAILABLE ACCESSORIES

ITEM NO.	COMPONENTS (*NOT ALL ACCESSORIES SHOWN)
1	ELECTRONIC LOCK & KEYPAD ON FRONT
2	*LED LIGHT
3	MOUSE CATCHER
4	*TILT MONITOR BRACKET
5	*UVC - RETRO FIT
6	WALL MOUNT RAIL SYSTEM
7	*STANDARD MED ACCESSORY KIT

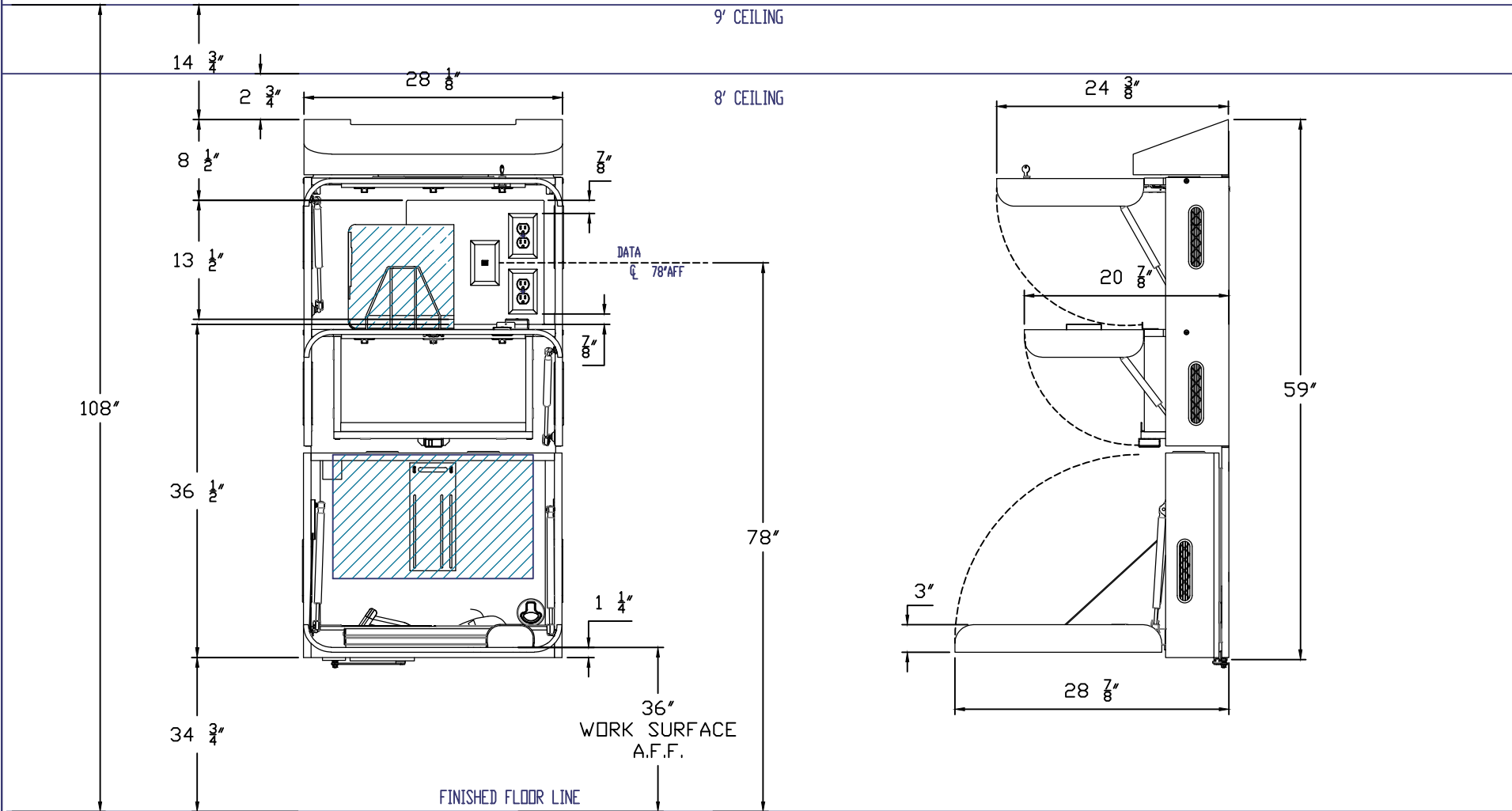


CWT285910B3NNSFN



WWW.PROXIMITYSYSTEMS.COM TEL: 800-437-8111

ALL DIMENSIONS ARE IN INCHES
UNLESS NOTED OTHERWISE.
DESIGN SUBJECT TO CHANGE
WITH EQUIPMENT SPECIFICATIONS.
ALL INFORMATION ON THIS
DRAWING IS PROPRIETARY AND
MAY NOT BE USED WITHOUT
PERMISSION FROM PROXIMITY
SYSTEMS, INC. © 2023.



CWT285910B3NNSFNIN

PROXIMITY

WWW.PROXIMITYSYSTEMS.COM

TEL: 800-437-8111

ALL DIMENSIONS ARE IN INCHES
UNLESS NOTED OTHERWISE.
DESIGN SUBJECT TO CHANGE
WITH EQUIPMENT SPECIFICATIONS.
ALL INFORMATION ON THIS
DRAWING IS PROPRIETARY AND
MAY NOT BE USED WITHOUT
PERMISSION FROM PROXIMITY
SYSTEMS, INC. ©2021

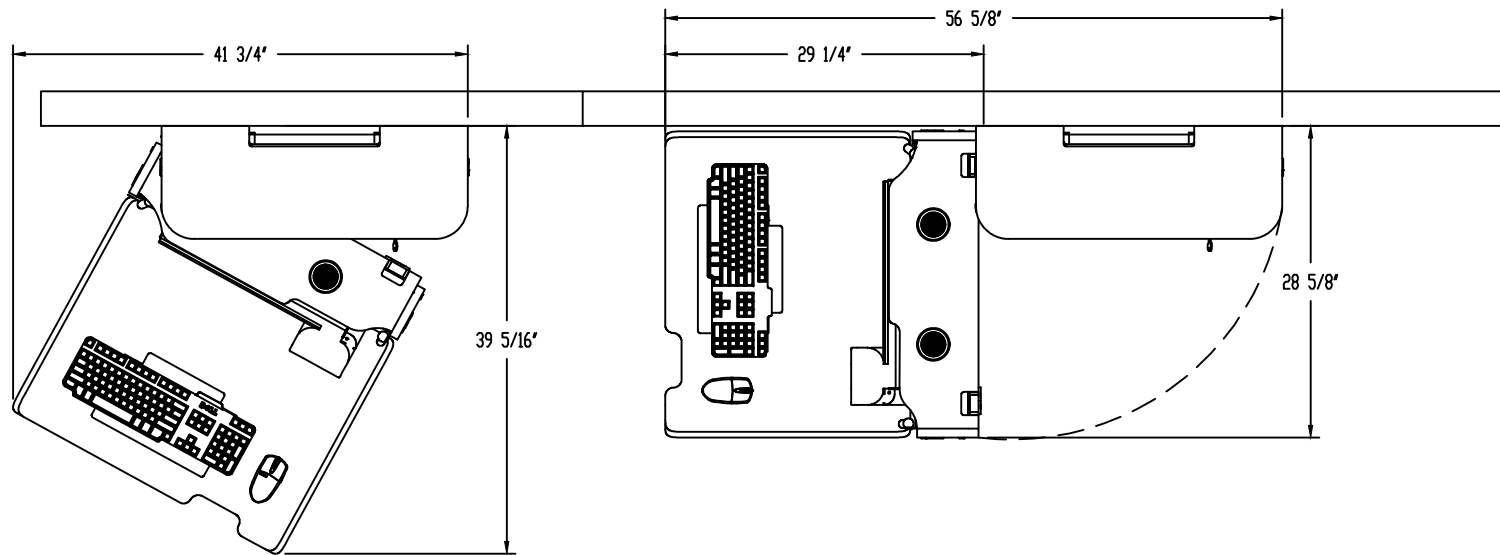
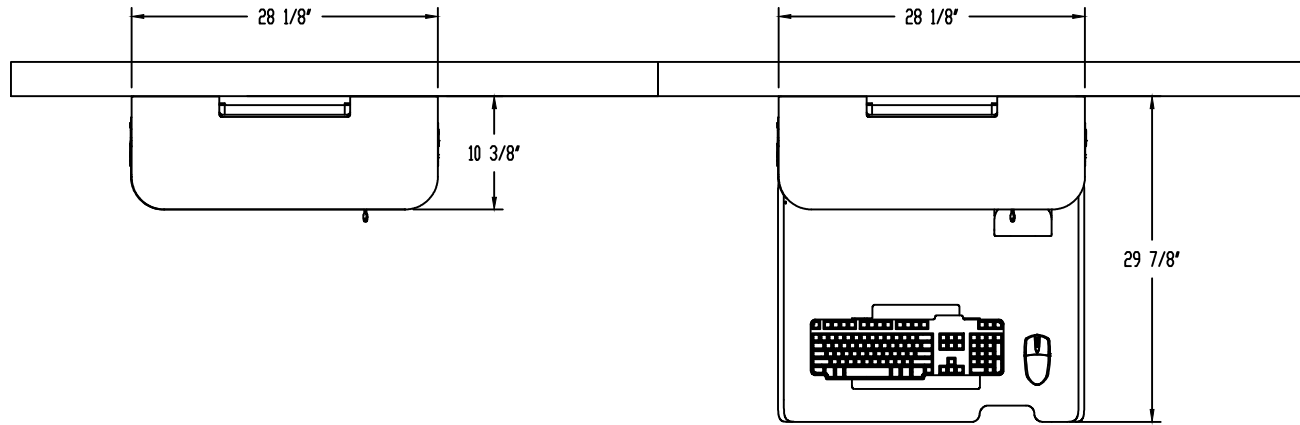
SITE BASED DECISION
EXAMPLE ILLUSTRATED
ABOVE



SCAN ME

TOP VIEW OF
SWIVEL UNIT

CWT-28-MED-SVL
PH06



CWT285910B3NNSKNNN

PROXIMITY

WWW.PROXIMITYSYSTEMS.COM

TEL: 800-437-8111

ALL DIMENSIONS ARE IN INCHES
UNLESS NOTED OTHERWISE.
DESIGN SUBJECT TO CHANGE
WITH EQUIPMENT SPECIFICATIONS.
ALL INFORMATION ON THIS
DRAWING IS PROPRIETARY AND
MAY NOT BE USED WITHOUT
PERMISSION FROM PROXIMITY
SYSTEMS, INC. ©2021.