



**CLOSED**



ELECTRICAL & DATA  
78" C AFF.  
REFERENCE PAGE 3  
FOR EXACT LOCATION

**OPEN**

WILD CHERRY  
SHOWN



CWT285909B3NNNLNN

**SPECIFICATIONS**

\*ASSUMES VESA HOLE PATTERN IS CENTERED ON MONITOR

EQUIPMENT	MAX SIZE DIMENSIONS
CPU	15"W x 13"H x 6"D
*MONITOR	23"W x 15"H x 4 1/2"D
KEYBOARD / MOUSE AREA	22"W x 20"D

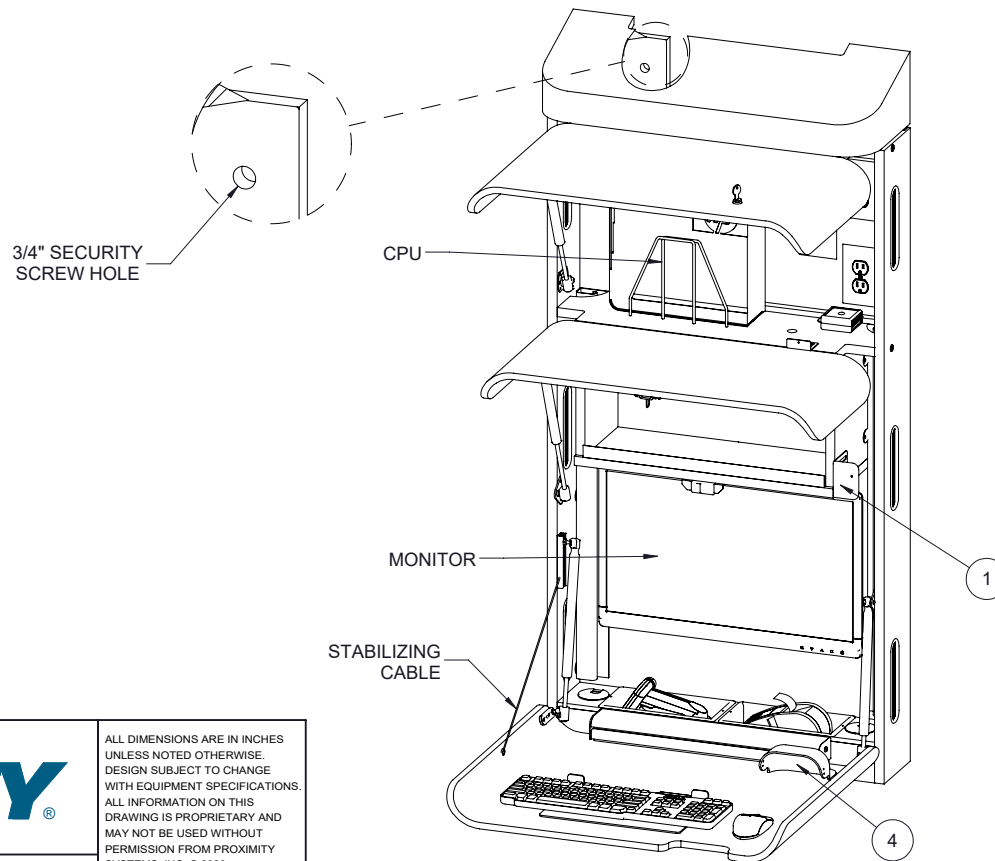
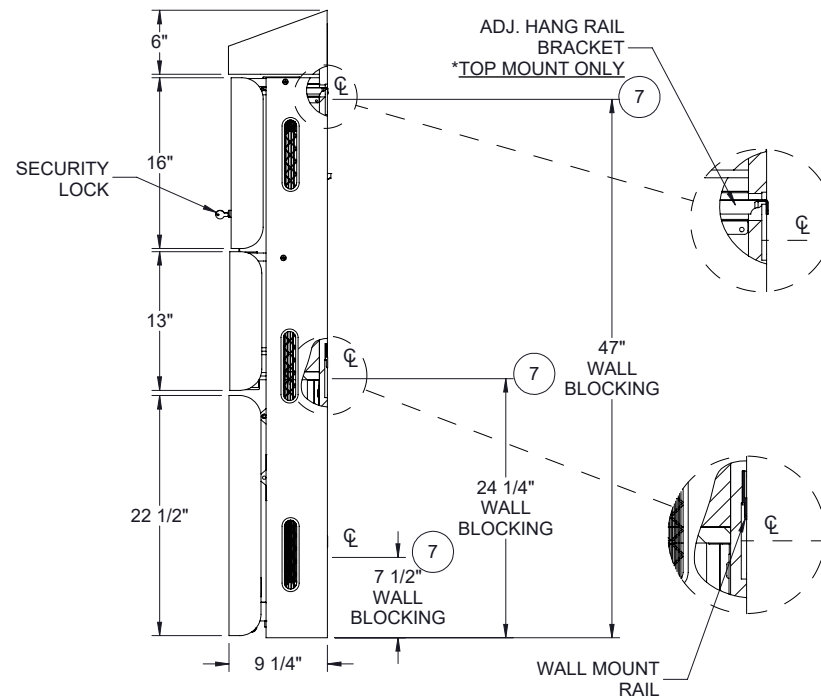
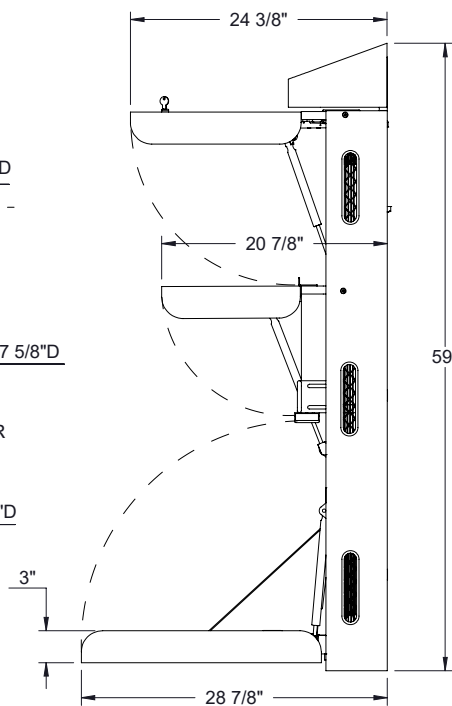
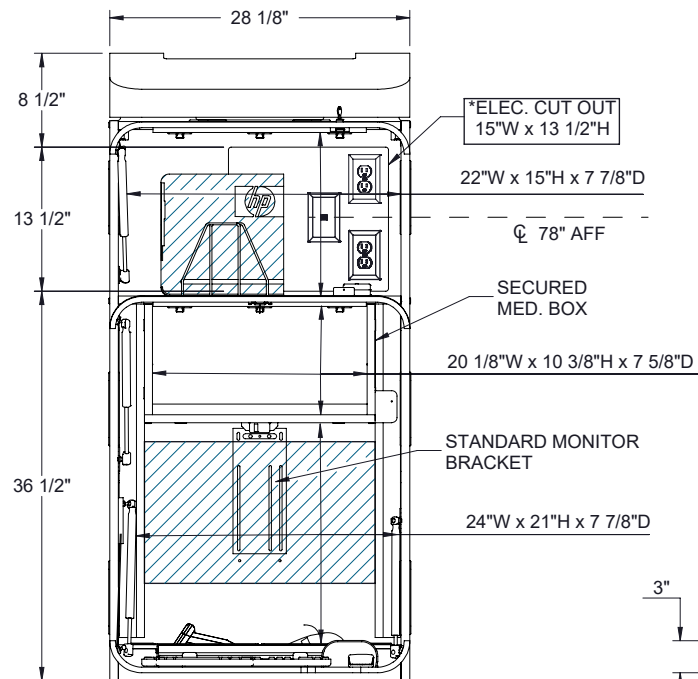
ALL DIMENSIONS ARE IN INCHES  
UNLESS NOTED OTHERWISE.  
DESIGN SUBJECT TO CHANGE  
WITH EQUIPMENT SPECIFICATIONS.  
ALL INFORMATION ON THIS  
DRAWING IS PROPRIETARY AND  
MAY NOT BE USED WITHOUT  
PERMISSION FROM PROXIMITY  
SYSTEMS, INC. © 2023.

**INCLUDED**

1. N/A
2. N/A
3. N/A



**CWT-28-MED  
PH07**



AVAILABLE ACCESSORIES	
ITEM NO.	COMPONENTS (*NOT ALL ACCESSORIES SHOWN)
1	LAN LOCKING SYSTEM
2	*LED LIGHT
3	MONITOR ARM SWIVEL
4	MOUSE CATCHER
5	*TILT MONITOR BRACKET
6	*UVC - SURFACE MOUNT
7	WALL MOUNT RAIL SYSTEM
R: C	



SCAN ME

CWT285909B3NNNLNN

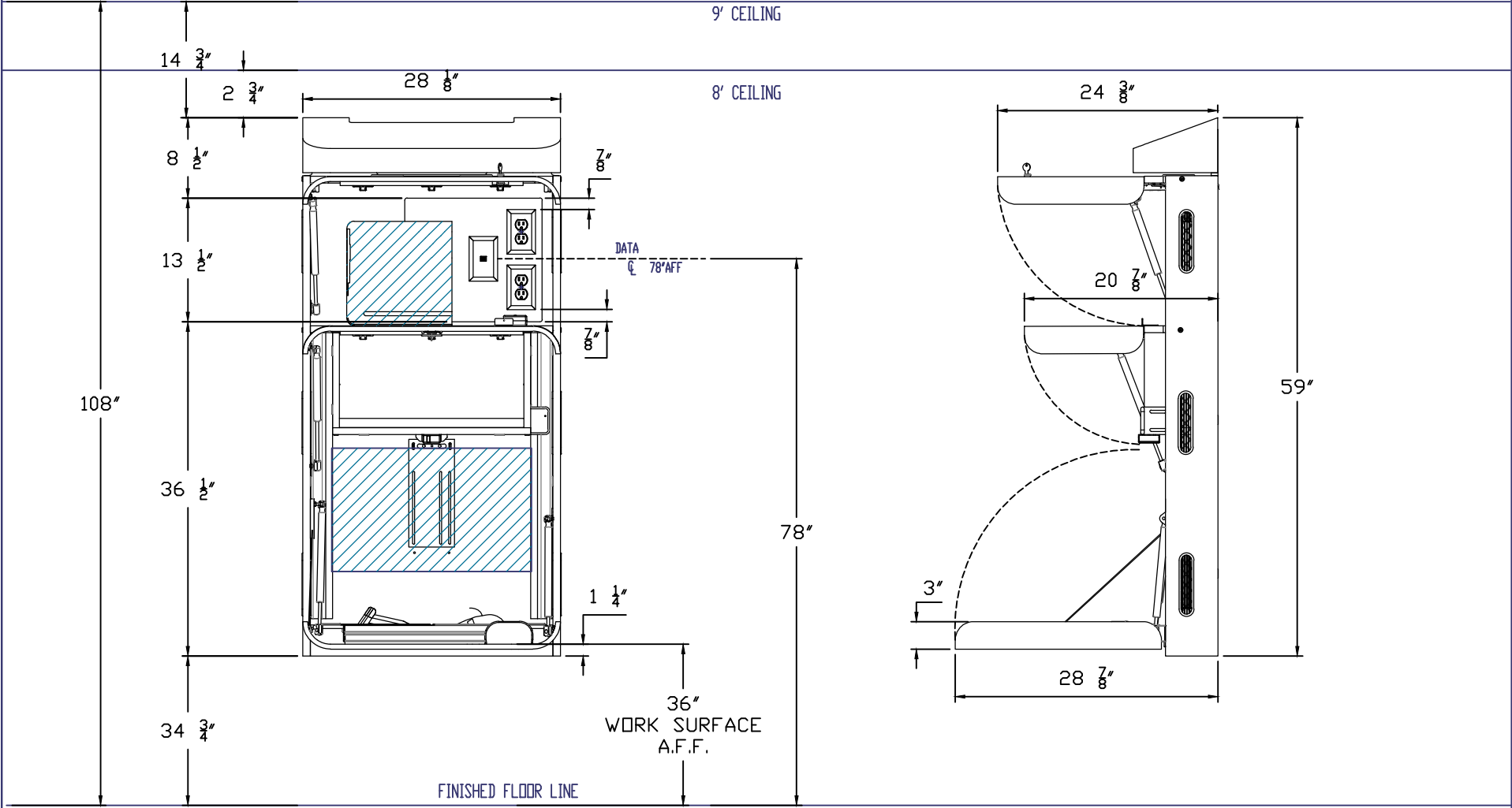
**PROXIMITY**

ALL DIMENSIONS ARE IN INCHES  
UNLESS NOTED OTHERWISE.  
DESIGN SUBJECT TO CHANGE  
WITH EQUIPMENT SPECIFICATIONS.  
ALL INFORMATION ON THIS  
DRAWING IS PROPRIETARY AND  
MAY NOT BE USED WITHOUT  
PERMISSION FROM PROXIMITY  
SYSTEMS, INC. © 2023.

WWW.PROXIMITYSYSTEMS.COM

TEL: 800-437-8111

SHEET 2 OF 2



CWT285909B3NNNLNN

**PROXIMITY**

WWW.PROXIMITYSYSTEMS.COM

TEL: 800-437-8111

ALL DIMENSIONS ARE IN INCHES  
UNLESS NOTED OTHERWISE.  
DESIGN SUBJECT TO CHANGE  
WITH EQUIPMENT SPECIFICATIONS.  
ALL INFORMATION ON THIS  
DRAWING IS PROPRIETARY AND  
MAY NOT BE USED WITHOUT  
PERMISSION FROM PROXIMITY  
SYSTEMS, INC. ©2021

\*SITE BASED DECISION\*  
EXAMPLE ILLUSTRATED  
ABOVE

