



CLOSED



OPEN

WILD CHERRY
SHOWN

ELECTRICAL & DATA
78" \varnothing AFF.
REFERENCE PAGE 3
FOR EXACT LOCATION



SCAN ME

CWT285910B3NNSLNNN

SPECIFICATIONS

*ASSUMES VESA HOLE PATTERN IS CENTERED ON MONITOR

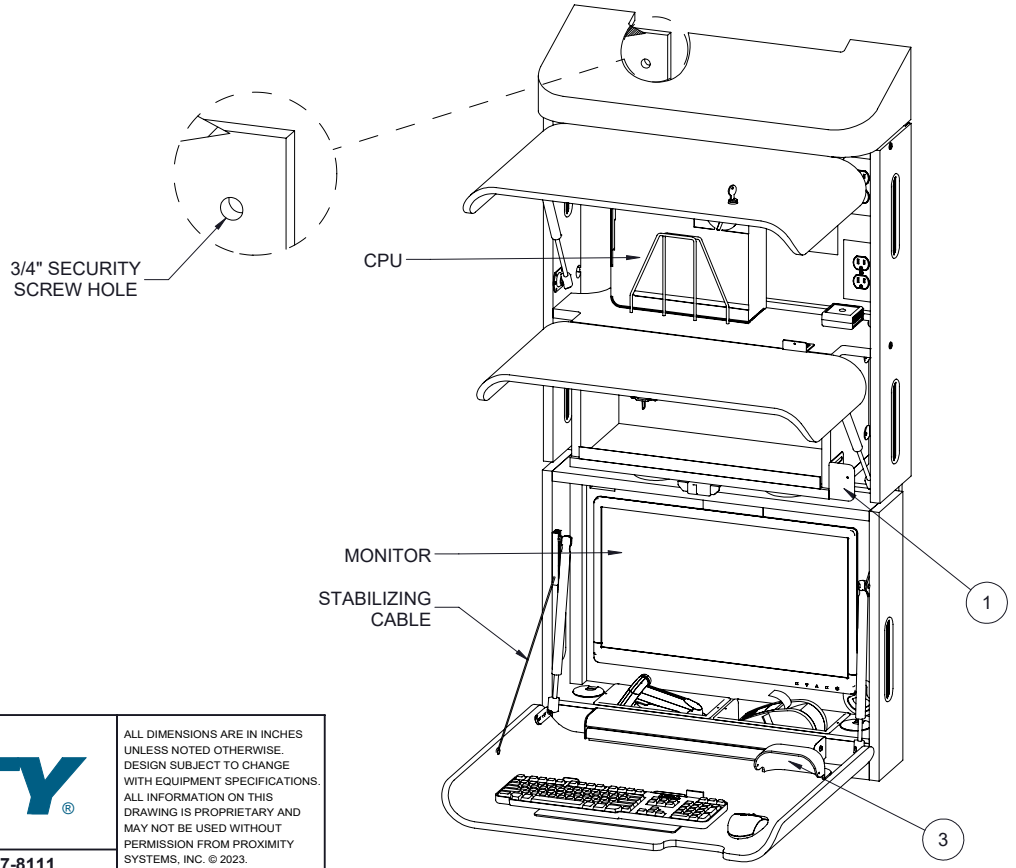
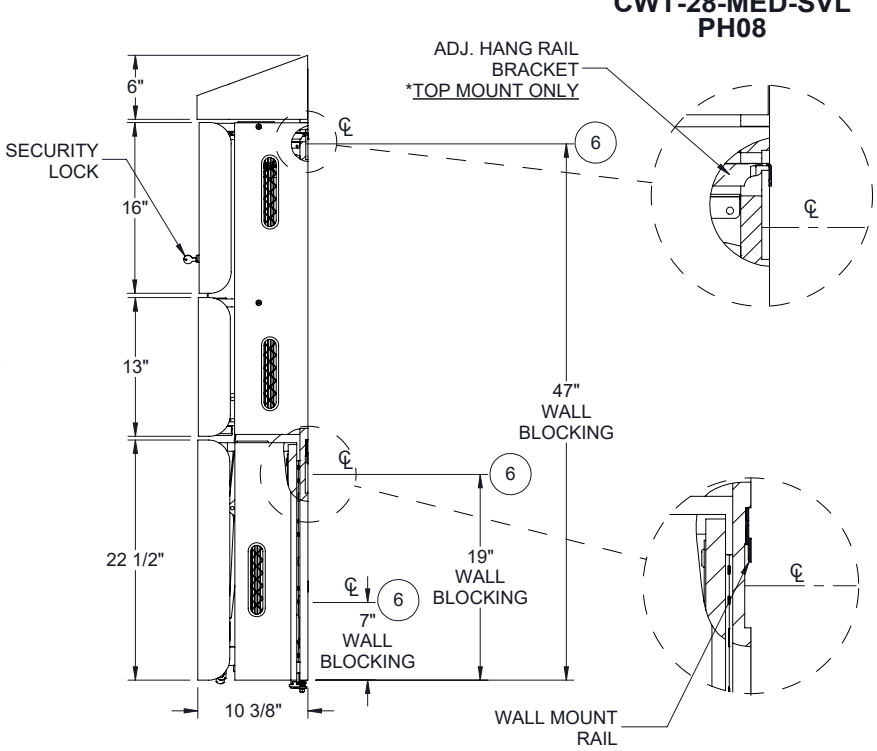
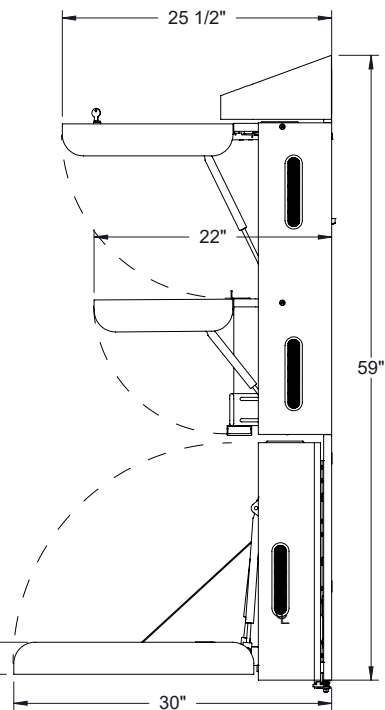
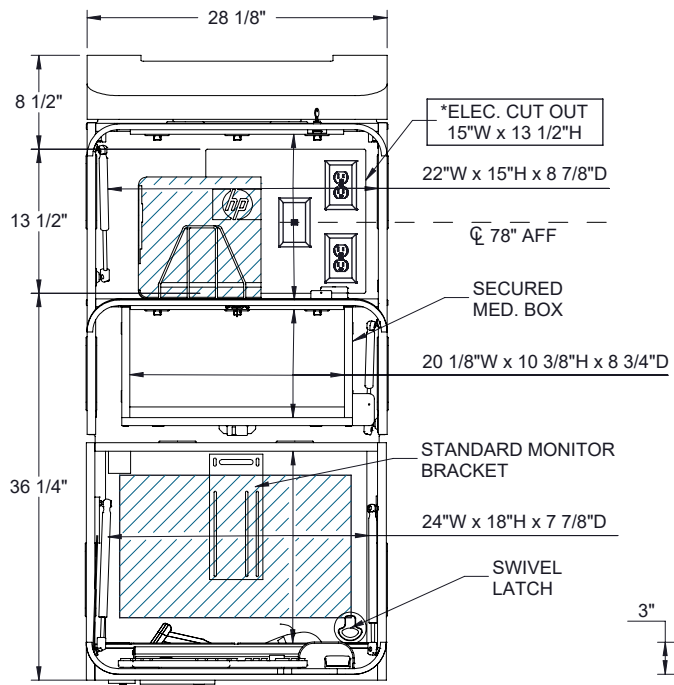
EQUIPMENT	MAX SIZE DIMENSIONS
CPU	15"W x 13"H x 7"D
*MONITOR	23"W x 13 1/2"H x 4 1/2"D
KEYBOARD / MOUSE AREA	22"W x 20"D

ALL DIMENSIONS ARE IN INCHES
UNLESS NOTED OTHERWISE.
DESIGN SUBJECT TO CHANGE
WITH EQUIPMENT SPECIFICATIONS.
ALL INFORMATION ON THIS
DRAWING IS PROPRIETARY AND
MAY NOT BE USED WITHOUT
PERMISSION FROM PROXIMITY
SYSTEMS, INC. © 2023.

INCLUDED

1. N/A
2. N/A
3. N/A

**CWT-28-MED-SVL
PH08**



AVAILABLE ACCESSORIES	
ITEM NO.	COMPONENTS (*NOT ALL ACCESSORIES SHOWN)
1	LAN LOCKING SYSTEM
2	*LED LIGHT
3	MOUSE CATCHER
4	*TILT MONITOR BRACKET
5	*UVC - RETRO FIT
6	WALL MOUNT RAIL SYSTEM



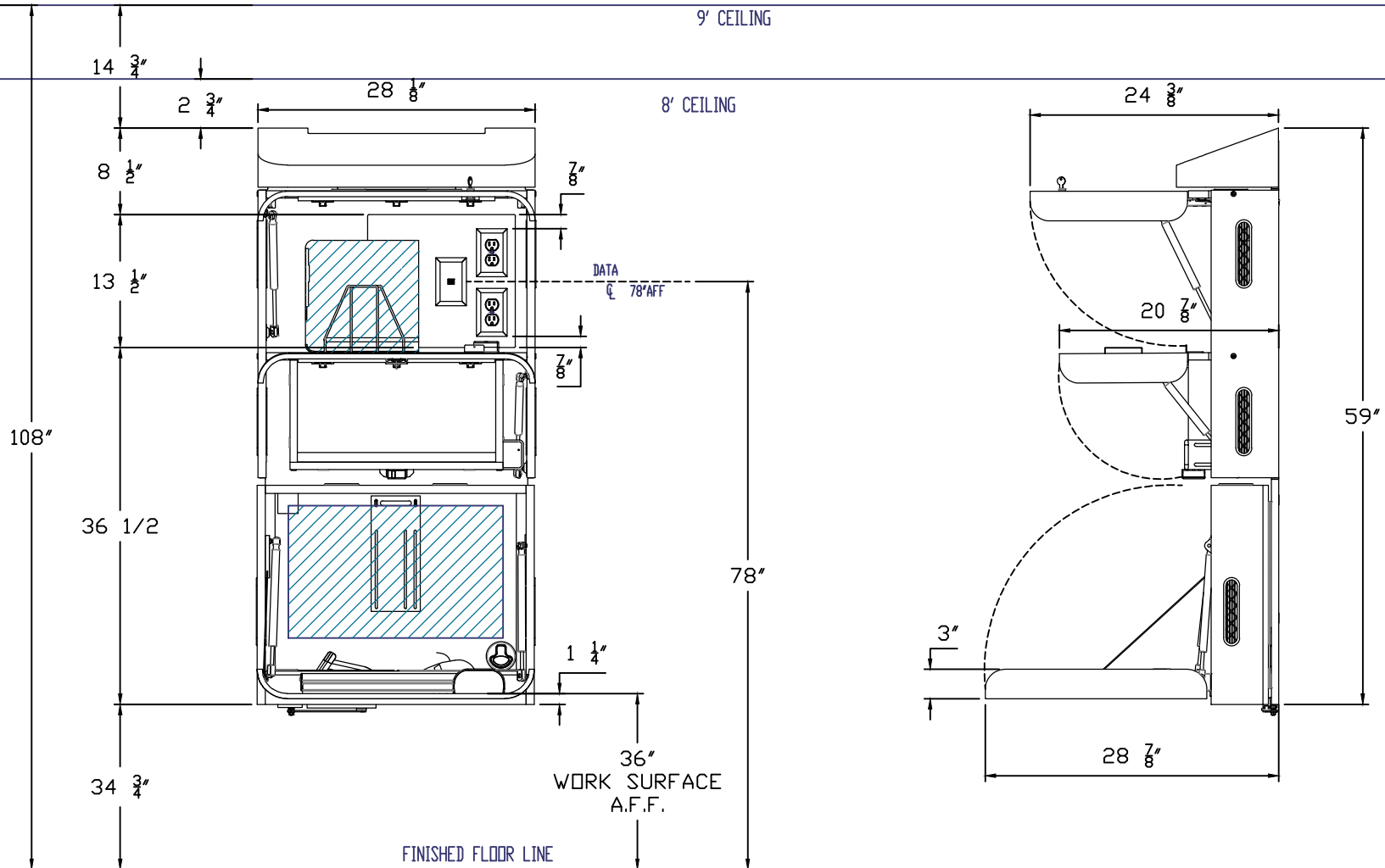
CWT285910B3NNSLNNN



ALL DIMENSIONS ARE IN INCHES UNLESS NOTED OTHERWISE. DESIGN SUBJECT TO CHANGE WITH EQUIPMENT SPECIFICATIONS. ALL INFORMATION ON THIS DRAWING IS PROPRIETARY AND MAY NOT BE USED WITHOUT PERMISSION FROM PROXIMITY SYSTEMS, INC. © 2023.

9' CEILING

8' CEILING



CWT285910B3NNSLNNN

PROXIMITY

ALL DIMENSIONS ARE IN INCHES
UNLESS NOTED OTHERWISE.
DESIGN SUBJECT TO CHANGE
WITH EQUIPMENT SPECIFICATIONS.
ALL INFORMATION ON THIS
DRAWING IS PROPRIETARY AND
MAY NOT BE USED WITHOUT
PERMISSION FROM PROXIMITY
SYSTEMS, INC. ©2021

SITE BASED DECISION
EXAMPLE ILLUSTRATED
ABOVE

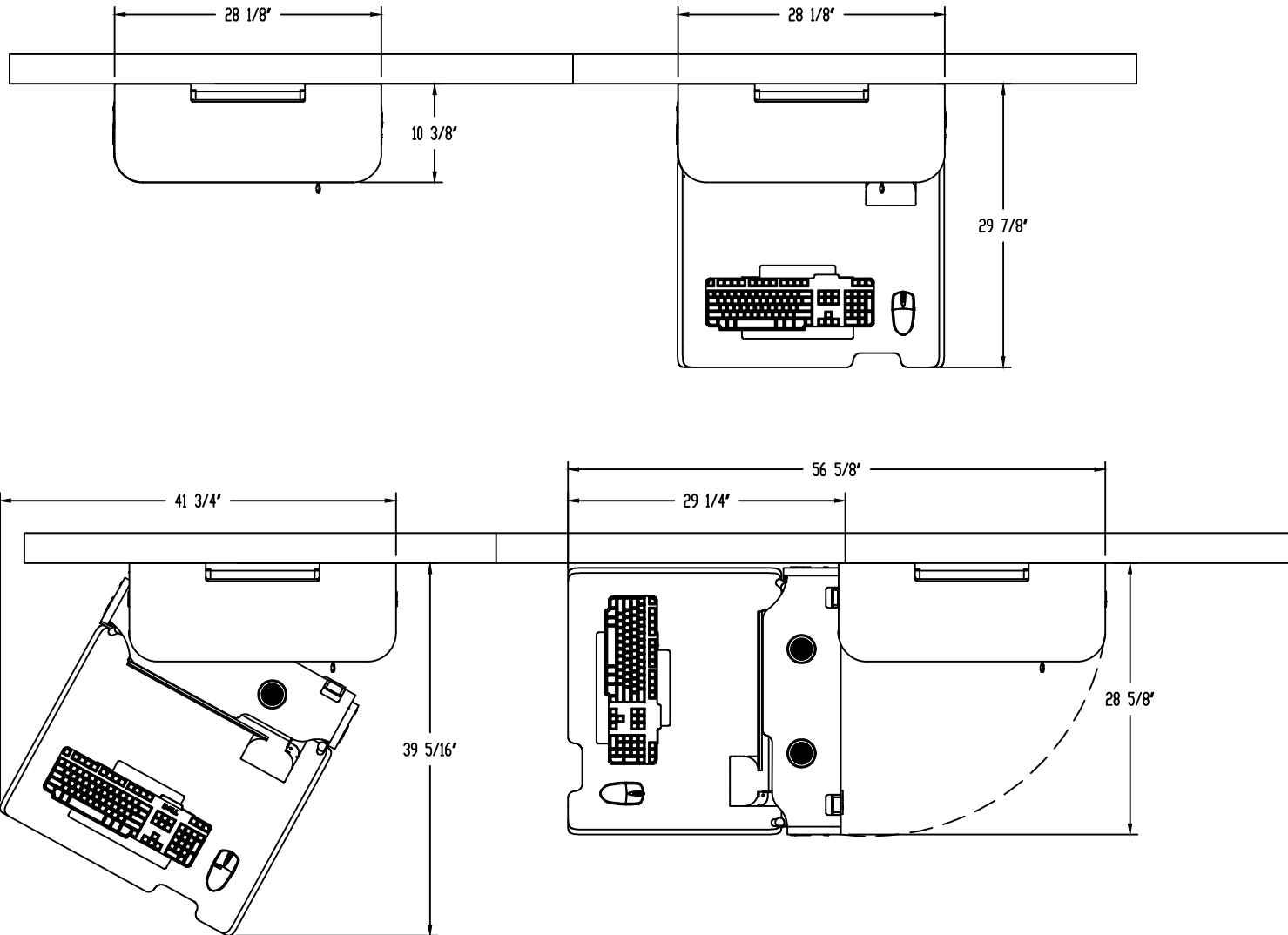
WWW.PROXIMITYSYSTEMS.COM

TEL: 800-437-8111



TOP VIEW OF
SWIVEL UNIT

CWT-28-MED-SVL
PH08



CWT285910B3NNSLNN

PROXIMITY

ALL DIMENSIONS ARE IN INCHES
UNLESS NOTED OTHERWISE.
DESIGN SUBJECT TO CHANGE
WITH EQUIPMENT SPECIFICATIONS.
ALL INFORMATION ON THIS
DRAWING IS PROPRIETARY AND
MAY NOT BE USED WITHOUT
PERMISSION FROM PROXIMITY
SYSTEMS, INC. ©2021.

WWW.PROXIMITYSYSTEMS.COM

TEL: 800-437-8111