



CLOSED

WILD CHERRY
SHOWN

OPEN



SCAN ME

CWL285607B3NFNNNN

SPECIFICATIONS

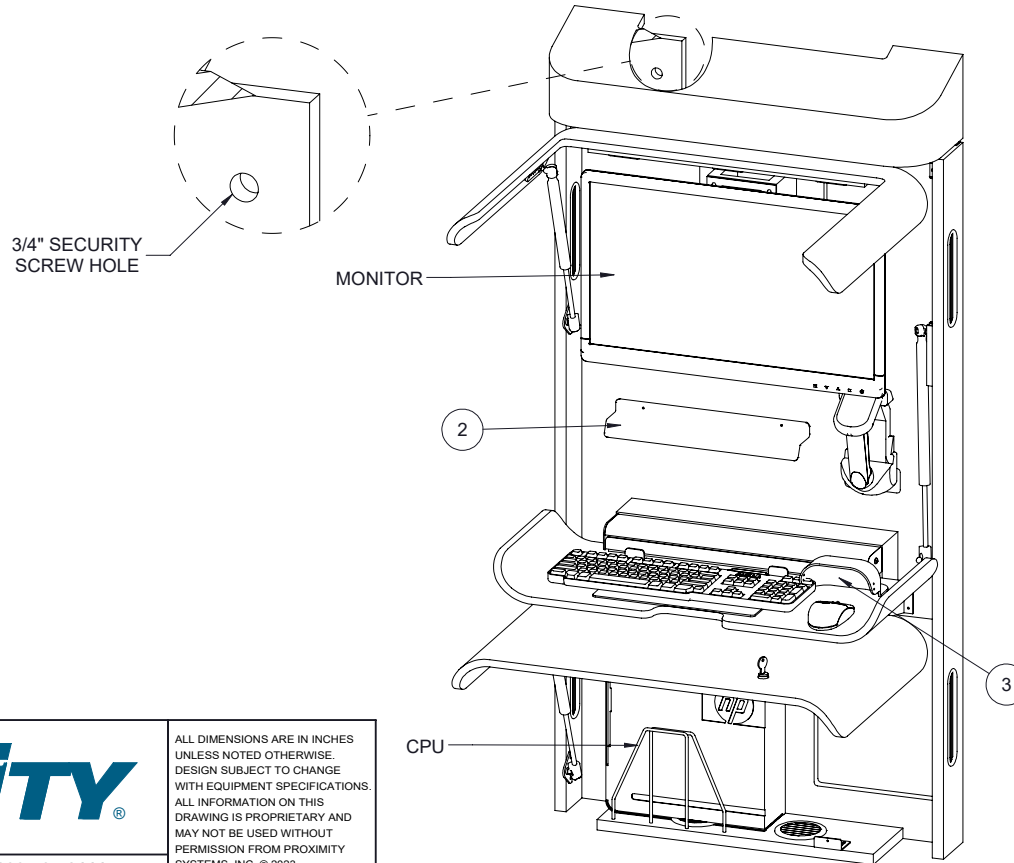
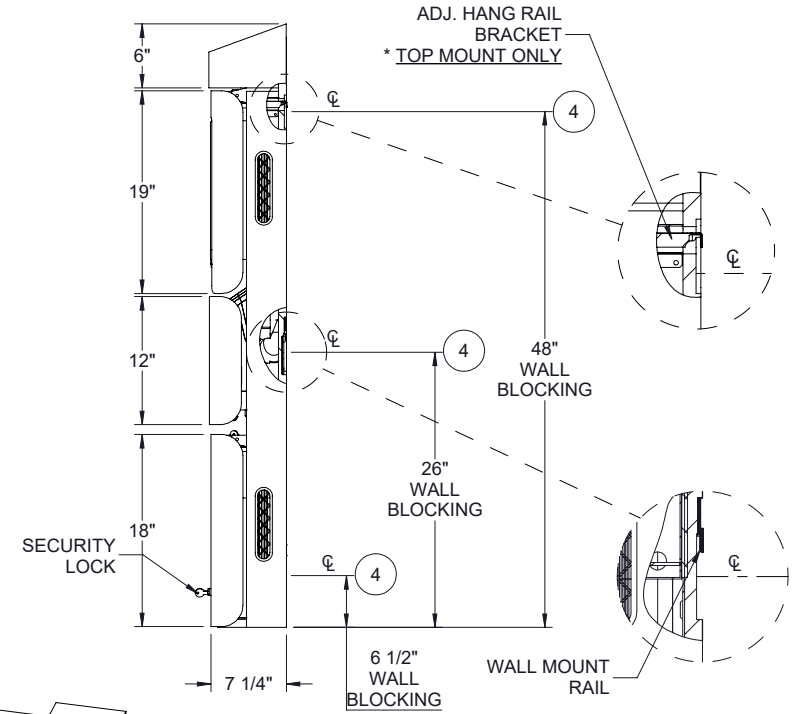
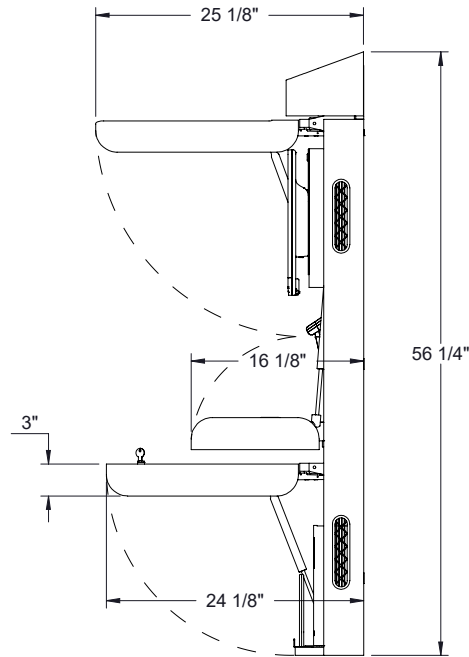
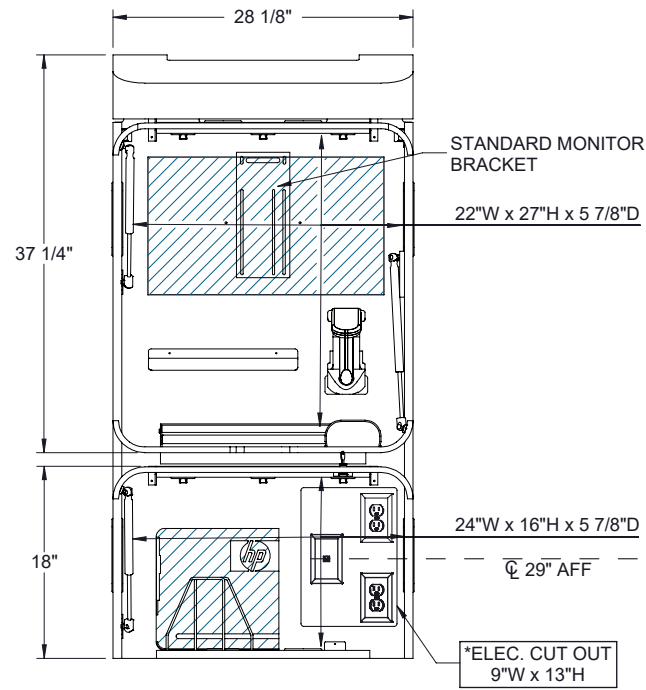
*ASSUMES VESA HOLE PATTERN IS CENTERED ON MONITOR

EQUIPMENT	MAX SIZE DIMENSIONS
CPU	15"W x 15"H x 5"D
*MONITOR	23"W x 15"H x 3"D
KEYBOARD / MOUSE AREA	22"W x 9 1/2"D

ALL DIMENSIONS ARE IN INCHES
UNLESS NOTED OTHERWISE.
DESIGN SUBJECT TO CHANGE
WITH EQUIPMENT SPECIFICATIONS.
ALL INFORMATION ON THIS
DRAWING IS PROPRIETARY AND
MAY NOT BE USED WITHOUT
PERMISSION FROM PROXIMITY
SYSTEMS, INC. © 2023.

INCLUDED

1. MONITOR SPACER
2. N/A
3. N/A



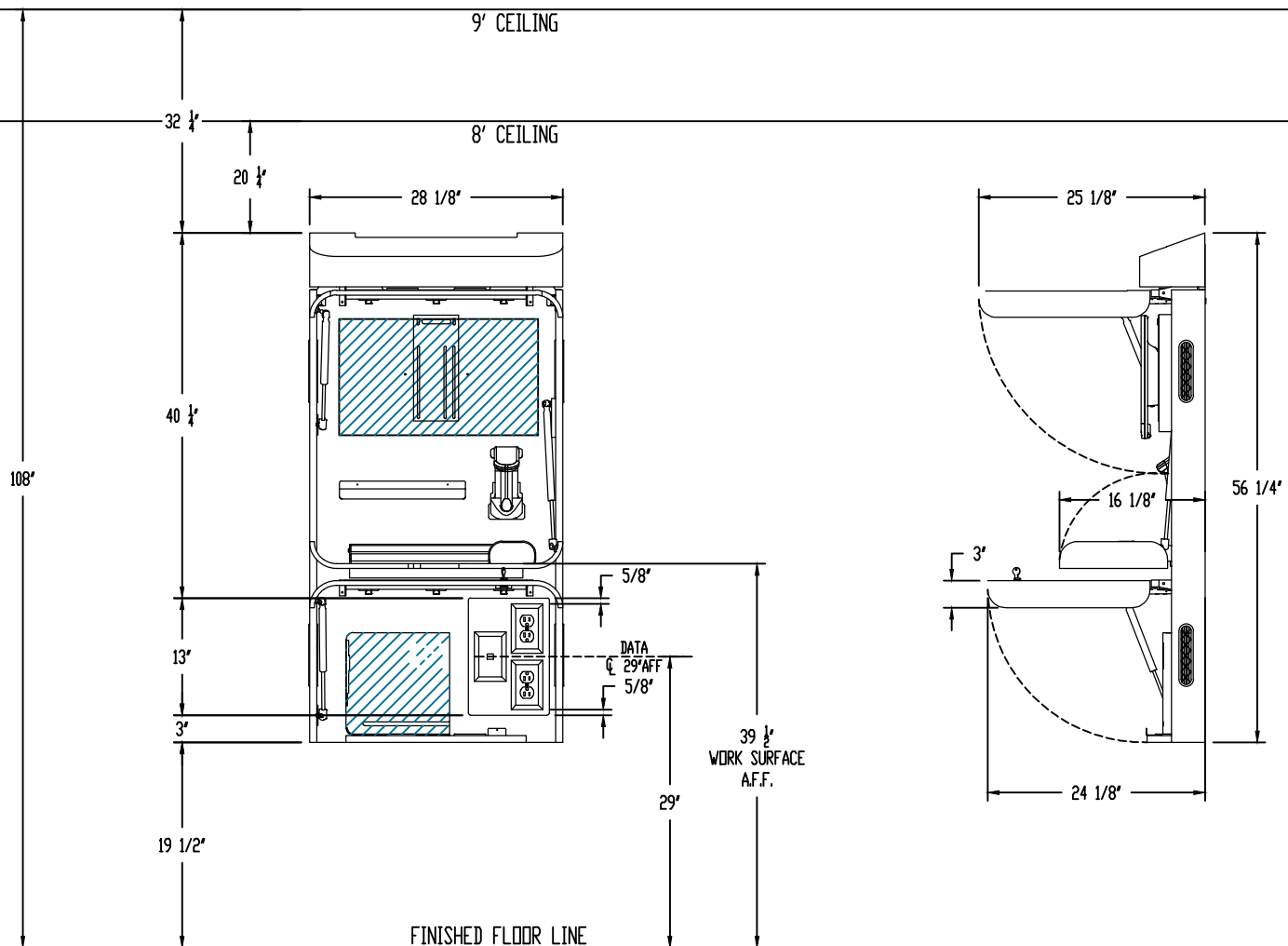
AVAILABLE ACCESSORIES	
ITEM NO.	COMPONENTS (*NOT ALL ACCESSORIES SHOWN)
1	*EXTERNAL MOUNTING BRACKET
2	LED LIGHT WITH GUARD
3	MOUSE CATCHER
4	WALL MOUNT RAIL SYSTEM
5	*INTERMEDIATE ACCESSORY KIT CL
R: C	



SCAN ME

CWL285607B3NFNNNNN

PROXIMITY



CWL285607B3NFNNNN

PROXIMITY

WWW.PROXIMITYSYSTEMS.COM

TEL: 800-437-8111

ALL DIMENSIONS ARE IN INCHES
UNLESS NOTED OTHERWISE.
DESIGN SUBJECT TO CHANGE
WITH EQUIPMENT SPECIFICATIONS.
ALL INFORMATION ON THIS
DRAWING IS PROPRIETARY AND
MAY NOT BE USED WITHOUT
PERMISSION FROM PROXIMITY
SYSTEMS, INC. ©2021

SITE BASED DECISION
EXAMPLE ILLUSTRATED
ABOVE



SCAN ME