



**CLOSED**



29 1/4"



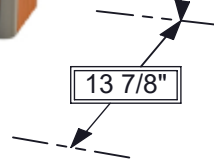
ELECTRICAL & DATA  
72"  $\phi$  AFF.  
REFERENCE PAGE 3  
FOR EXACT LOCATION



43 1/2"



28 1/8"



13 7/8"

**OPEN**

WILD CHERRY  
SHOWN

4"



EXT284404B2NFNNNNN

**SPECIFICATIONS**

\*ASSUMES VESA HOLE PATTERN IS CENTERED ON MONITOR

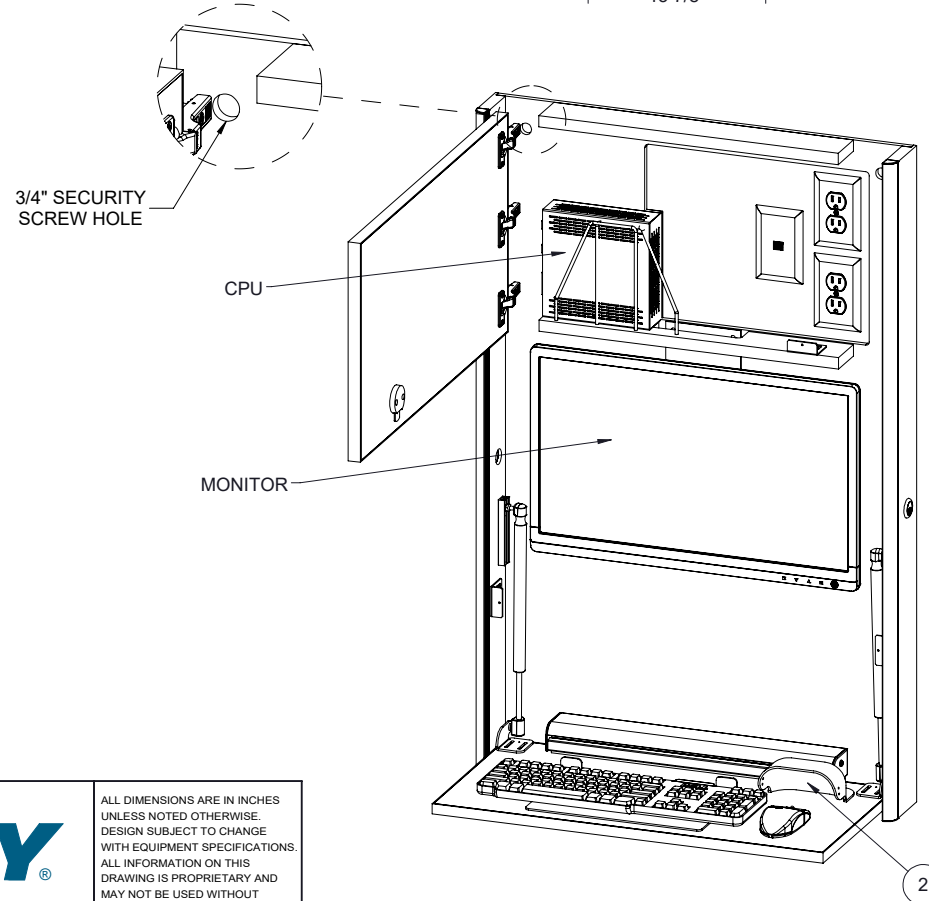
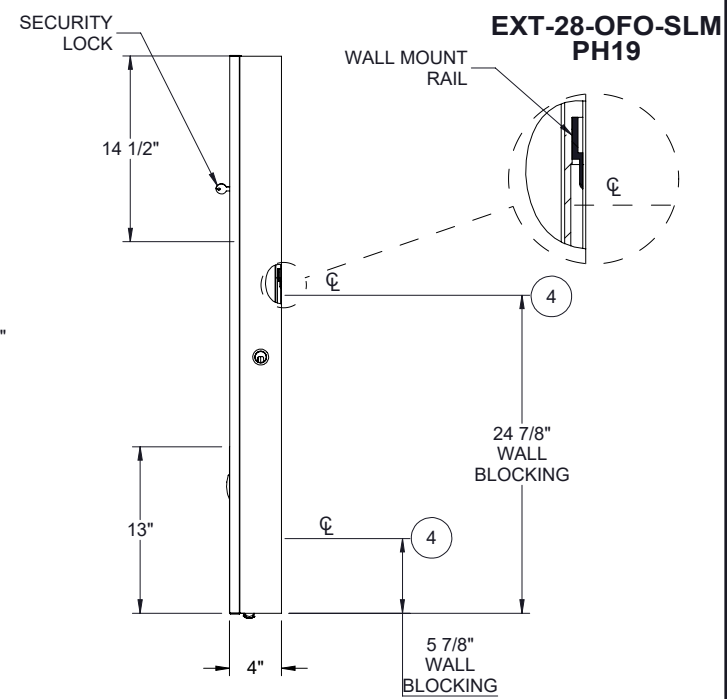
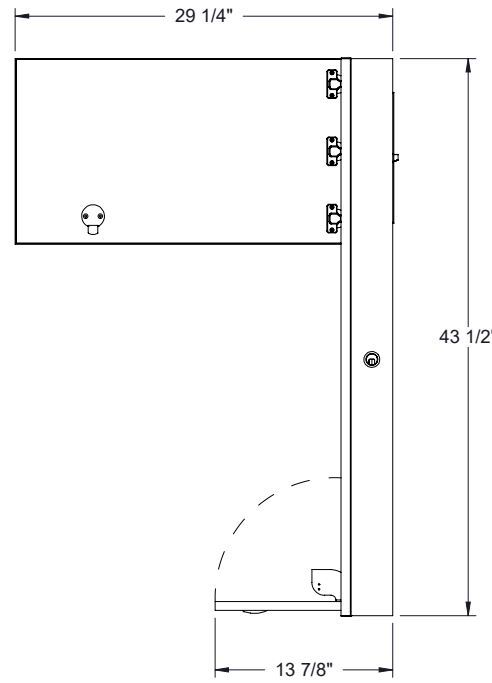
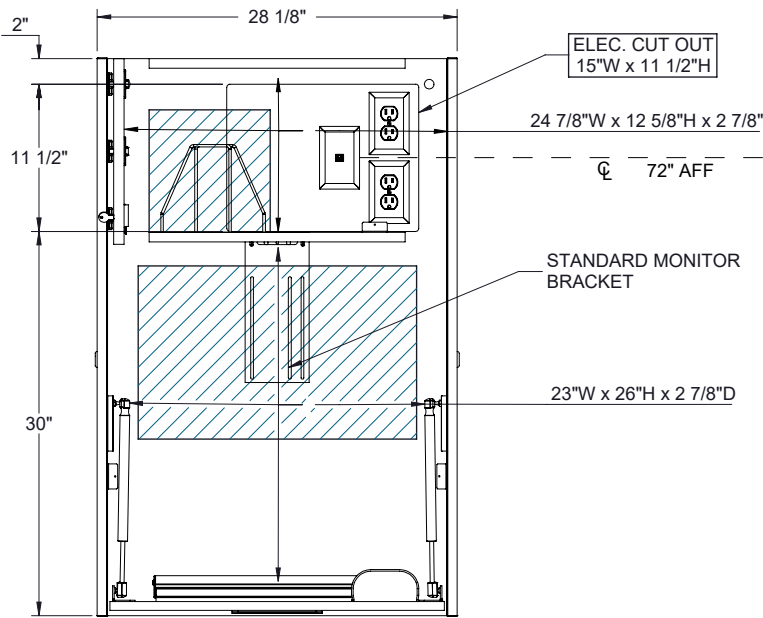
EQUIPMENT	MAX SIZE DIMENSIONS
CPU	15"W x 10"H x 2"D
*MONITOR	23"W x 15 1/2"H x 2 1/2"D
KEYBOARD / MOUSE AREA	26"W x 11"D

ALL DIMENSIONS ARE IN INCHES  
UNLESS NOTED OTHERWISE.  
DESIGN SUBJECT TO CHANGE  
WITH EQUIPMENT SPECIFICATIONS.  
ALL INFORMATION ON THIS  
DRAWING IS PROPRIETARY AND  
MAY NOT BE USED WITHOUT  
PERMISSION FROM PROXIMITY  
SYSTEMS, INC. © 2023.

**INCLUDED**

1. N/A
2. N/A
3. N/A

**PROXIMITY**



AVAILABLE ACCESSORIES	
ITEM NO.	COMPONENTS (*NOT ALL ACCESSORIES SHOWN)
1	*EXTERNAL MOUNTING BRACKET
2	MOUSE CATCHER
3	TILT MONITOR BRACKET
4	WALL MOUNT RAIL SYSTEM
5	N/A
6	N/A



EXT284404B2NFNNNNN

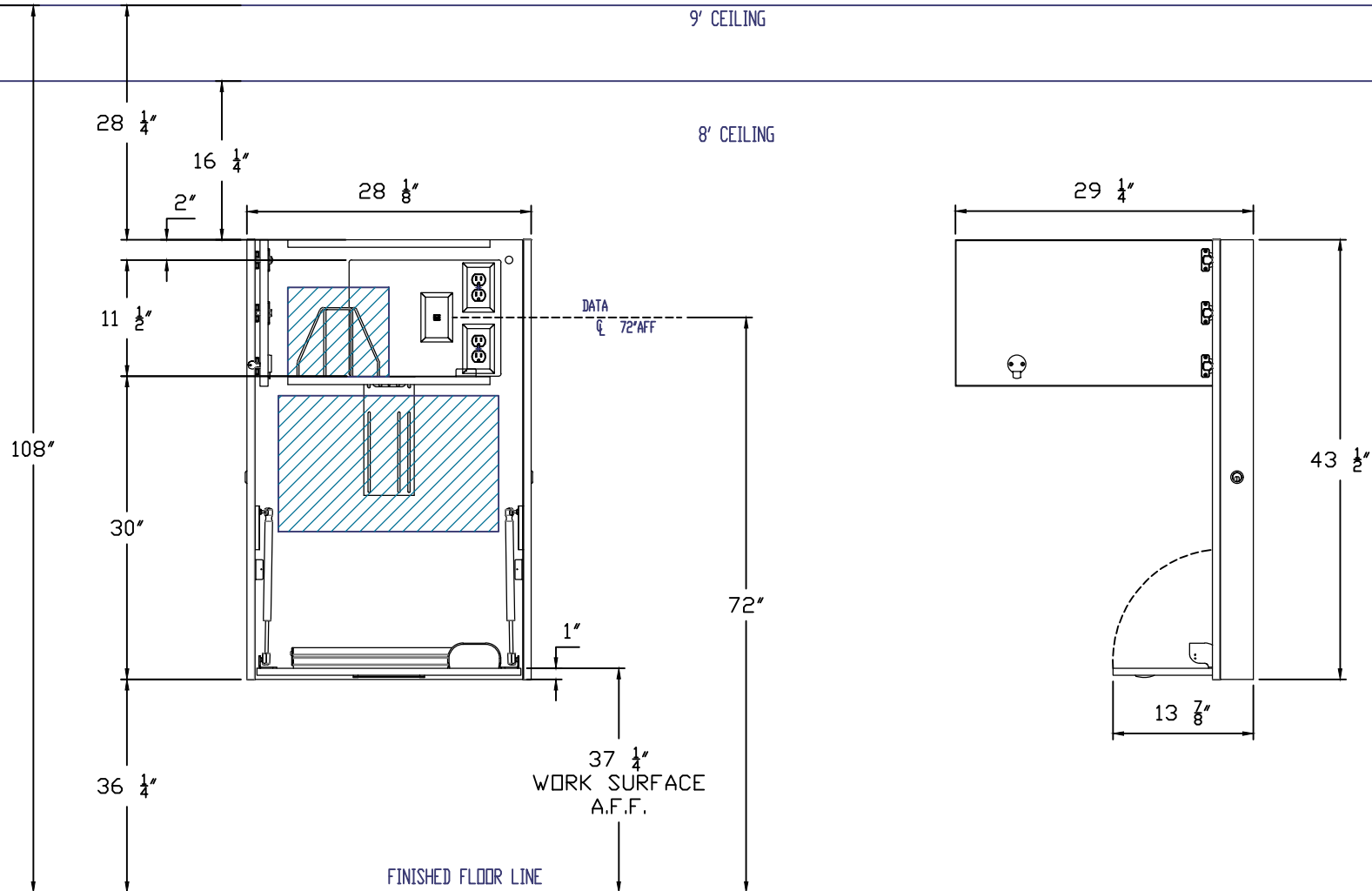
**PROXIMITY**

WWW.PROXIMITYSYSTEMS.COM TEL: 800-437-8111

ALL DIMENSIONS ARE IN INCHES UNLESS NOTED OTHERWISE. DESIGN SUBJECT TO CHANGE WITH EQUIPMENT SPECIFICATIONS. ALL INFORMATION ON THIS DRAWING IS PROPRIETARY AND MAY NOT BE USED WITHOUT PERMISSION FROM PROXIMITY SYSTEMS, INC. © 2023.

9' CEILING

8' CEILING



EXT284404B2NFNNNN

**PROXIMITY**

ALL DIMENSIONS ARE IN INCHES  
UNLESS NOTED OTHERWISE.  
DESIGN SUBJECT TO CHANGE  
WITH EQUIPMENT SPECIFICATIONS.  
ALL INFORMATION ON THIS  
DRAWING IS PROPRIETARY AND  
MAY NOT BE USED WITHOUT  
PERMISSION FROM PROXIMITY  
SYSTEMS, INC. ©2021

\*SITE BASED DECISION\*  
EXAMPLE ILLUSTRATED  
ABOVE

