



ELECTRICAL & DATA
64" C. AFF.
REFERENCE PAGE 3
FOR EXACT LOCATION

CLOSED

WILD CHERRY
SHOWN

OPEN



EX1283109B1NNNNNNN

SPECIFICATIONS

*ASSUMES VESA HOLE PATTERN IS CENTERED ON MONITOR

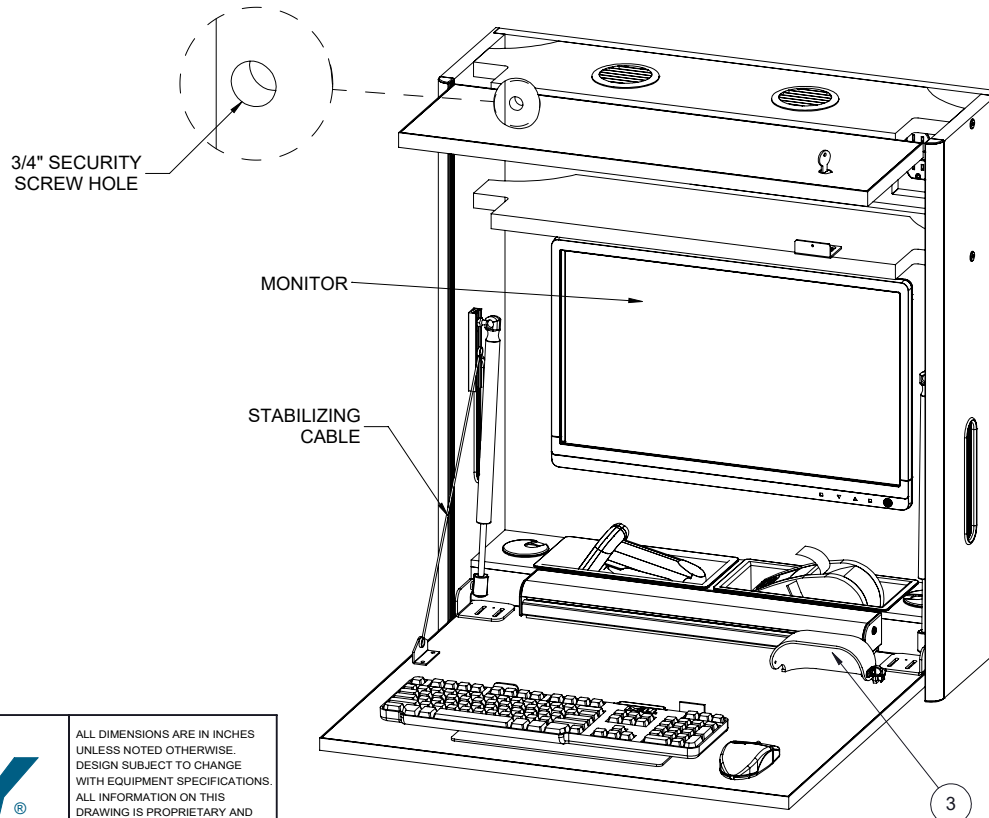
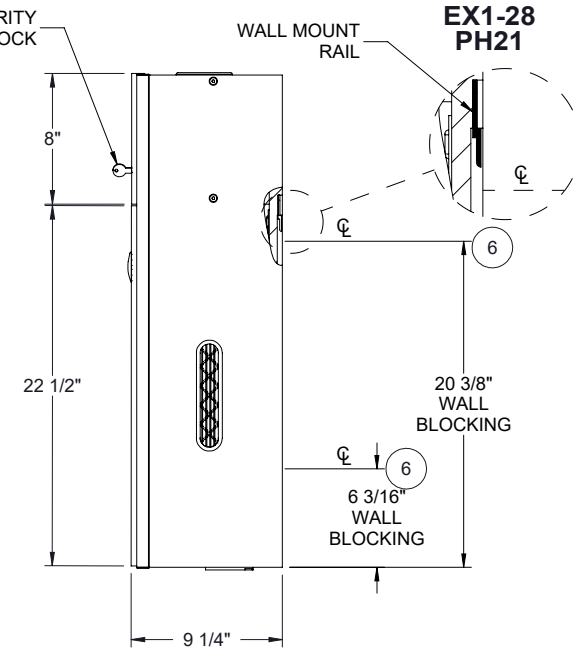
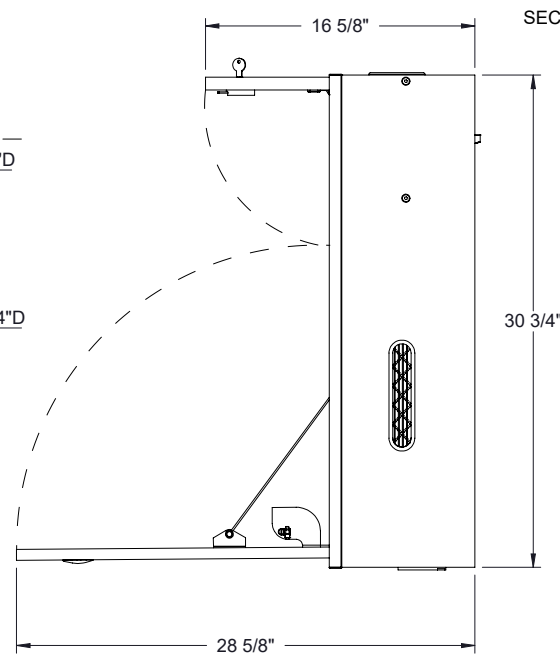
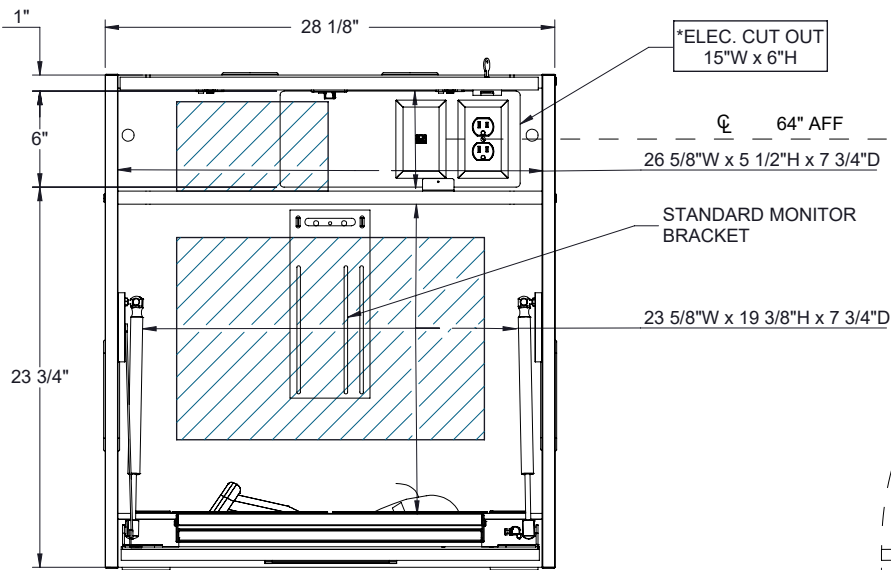
EQUIPMENT	MAX SIZE DIMENSIONS
CPU	12"W x 5 1/2"H x 7"D
*MONITOR	23"W x 15"H x 4 1/2"D
KEYBOARD / MOUSE AREA	26"W x 20"D

ALL DIMENSIONS ARE IN INCHES
UNLESS NOTED OTHERWISE.
DESIGN SUBJECT TO CHANGE
WITH EQUIPMENT SPECIFICATIONS.
ALL INFORMATION ON THIS
DRAWING IS PROPRIETARY AND
MAY NOT BE USED WITHOUT
PERMISSION FROM PROXIMITY
SYSTEMS, INC. © 2023.

INCLUDED

1. N/A
2. N/A
3. N/A

WWW.PROXIMITYSYSTEMS.COM TEL: 800-437-8111



AVAILABLE ACCESSORIES	
ITEM NO.	COMPONENTS (*NOT ALL ACCESSORIES SHOWN)
1	*LED LIGHT
2	*MONITOR ARM SWIVEL
3	MOUSE CATCHER
4	*TILT MONITOR BRACKET
5	*UVC - SURFACE MOUNT
6	WALL MOUNT RAIL SYSTEM
7	*STANDARD ACCESSORY KIT



SCAN ME

EX1283109B1NNNNNNN

PROXIMITY

ALL DIMENSIONS ARE IN INCHES UNLESS NOTED OTHERWISE. DESIGN SUBJECT TO CHANGE WITH EQUIPMENT SPECIFICATIONS. ALL INFORMATION ON THIS DRAWING IS PROPRIETARY AND MAY NOT BE USED WITHOUT PERMISSION FROM PROXIMITY SYSTEMS, INC. © 2023.

WWW.PROXIMITYSYSTEMS.COM

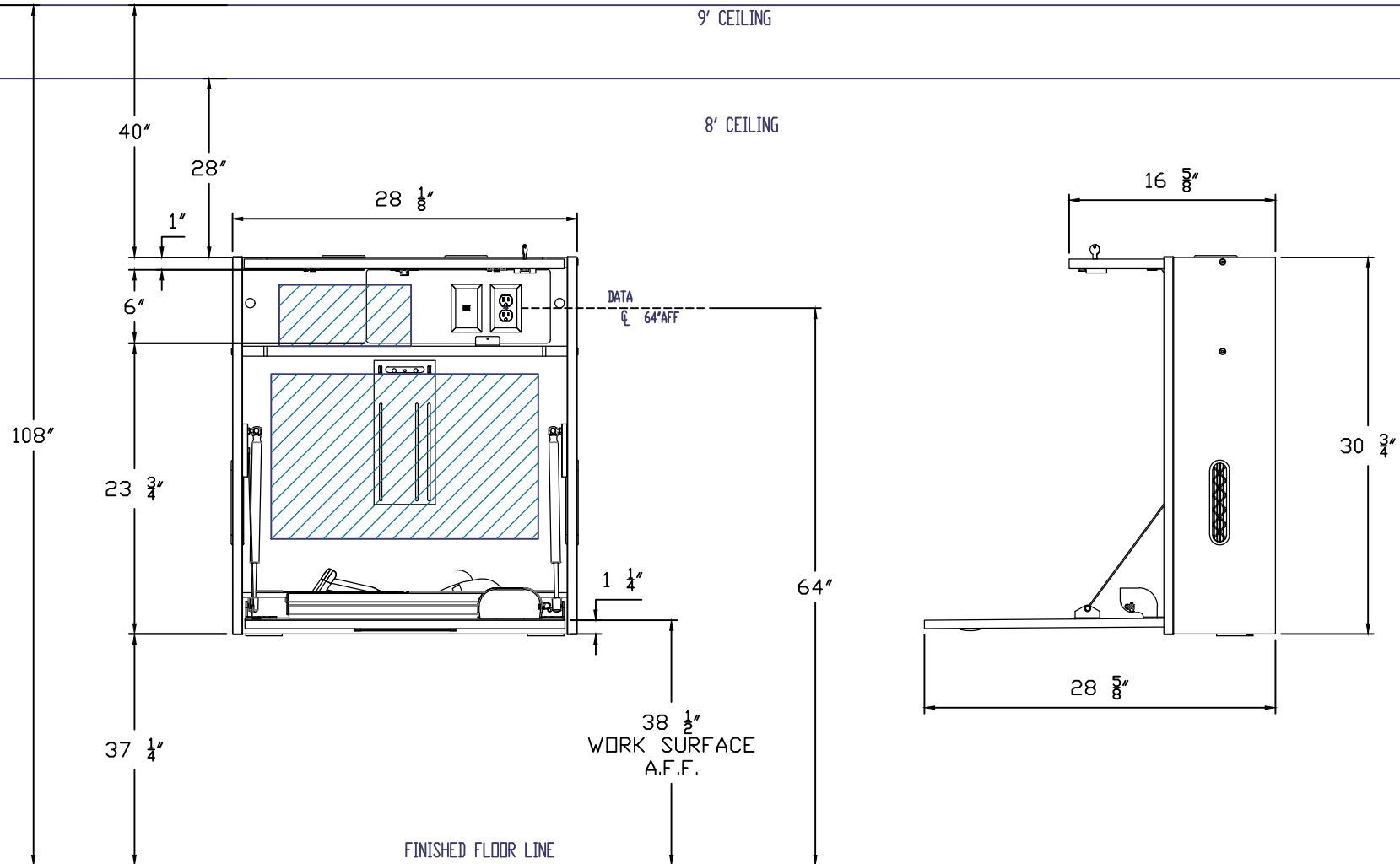
TEL: 800-437-8111

R: D

SHEET 2 OF 2

9' CEILING

8' CEILING



EX1283109B1NNNNNNN

PROXIMITY

WWW.PROXIMITYSYSTEMS.COM

TEL: 800-437-8111

ALL DIMENSIONS ARE IN INCHES
UNLESS NOTED OTHERWISE.
DESIGN SUBJECT TO CHANGE
WITH EQUIPMENT SPECIFICATIONS.
ALL INFORMATION ON THIS
DRAWING IS PROPRIETARY AND
MAY NOT BE USED WITHOUT
PERMISSION FROM PROXIMITY
SYSTEMS, INC. ©2021

SITE BASED DECISION
EXAMPLE ILLUSTRATED
ABOVE

