



**CLOSED**

WILD CHERRY  
SHOWN



**OPEN**

ELECTRICAL & DATA  
78"  $\varnothing$  AFF.  
REFERENCE PAGE 3  
FOR EXACT LOCATION



EXT285007B2NANNNNN

**SPECIFICATIONS**

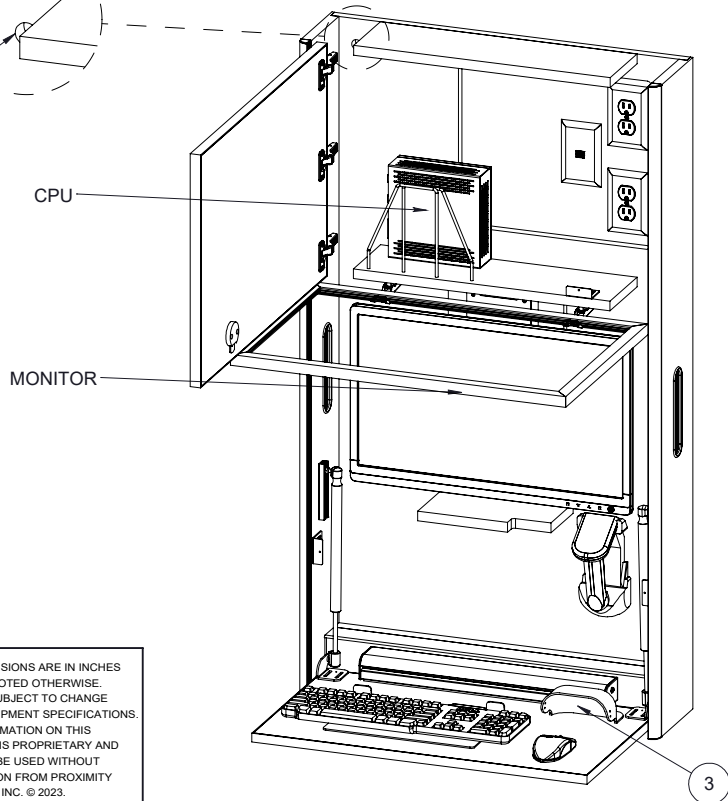
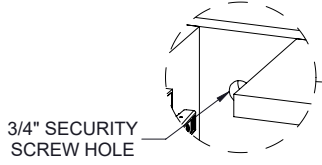
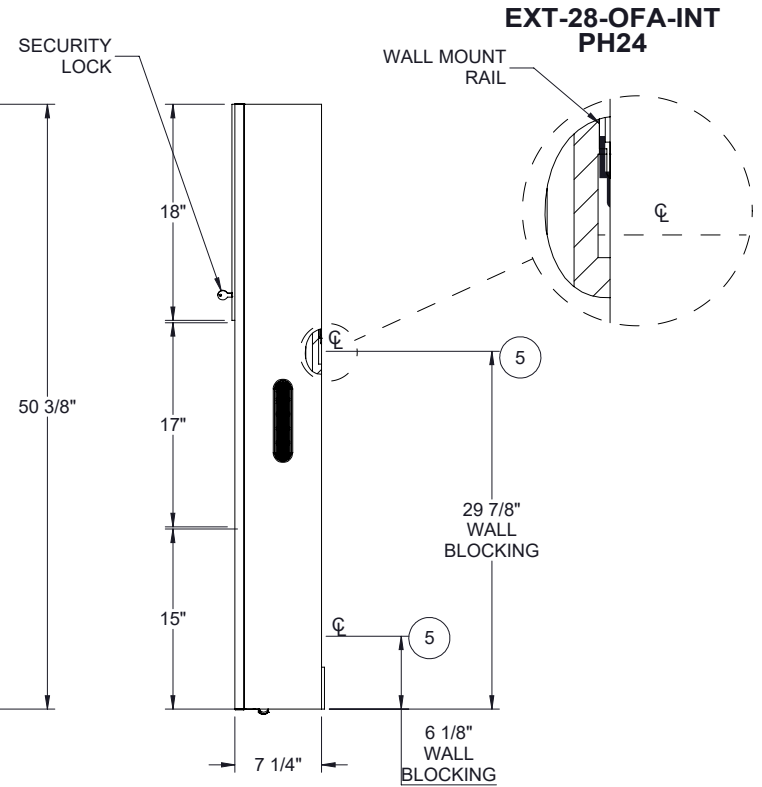
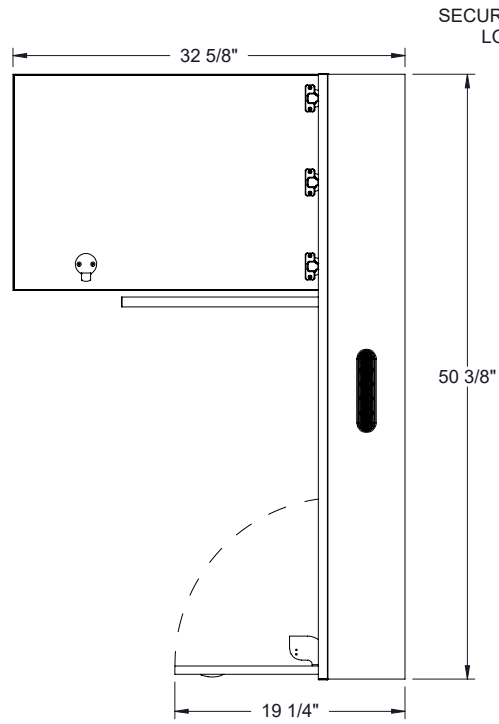
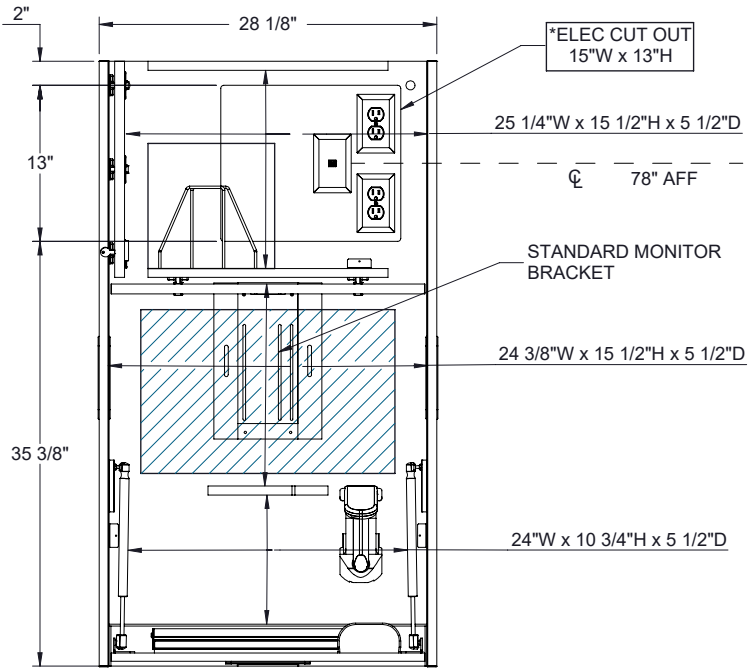
\*ASSUMES VESA HOLE PATTERN IS CENTERED ON MONITOR

EQUIPMENT	MAX SIZE DIMENSIONS
CPU	15"W x 15"H x 5"D
*MONITOR	23"W x 15 1/2"H x 2 1/2"D
KEYBOARD / MOUSE AREA	26"W x 13"D

ALL DIMENSIONS ARE IN INCHES  
UNLESS NOTED OTHERWISE.  
DESIGN SUBJECT TO CHANGE  
WITH EQUIPMENT SPECIFICATIONS.  
ALL INFORMATION ON THIS  
DRAWING IS PROPRIETARY AND  
MAY NOT BE USED WITHOUT  
PERMISSION FROM PROXIMITY  
SYSTEMS, INC. © 2023.

**INCLUDED**

1. ELBOW CATCH TO LOCK OPEN FACE
2. MONITOR SPACER
3. N/A



AVAILABLE ACCESSORIES	
ITEM NO.	COMPONENTS (*NOT ALL ACCESSORIES SHOWN)
1	*EXTERNAL MOUNTING BRACKET
2	*LED LIGHT
3	MOUSE CATCHER
4	*UVC - RETRO FIT
5	WALL MOUNT RAIL SYSTEM
6	*INTERMEDIATE ACCESSORY KIT EM



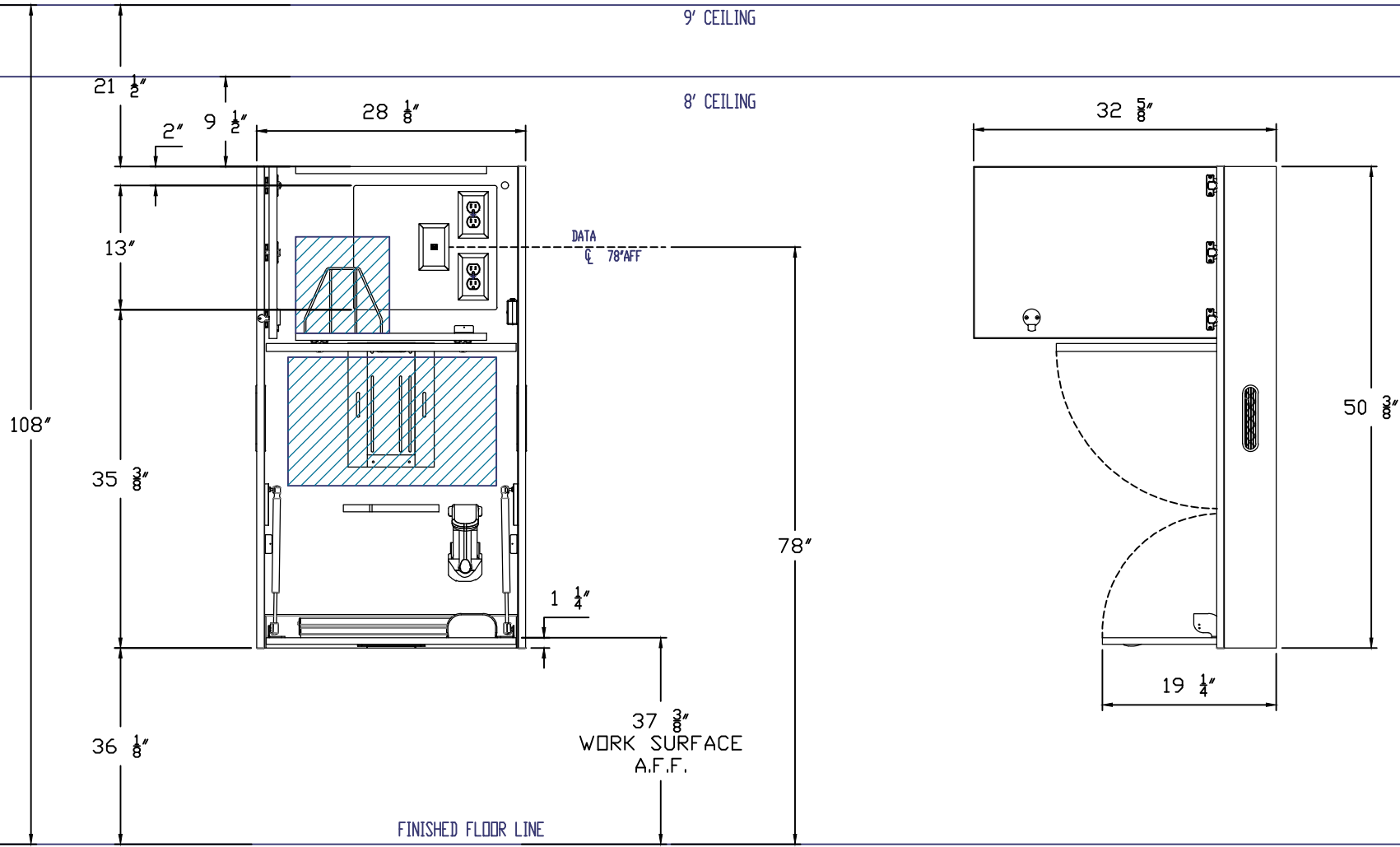
EXT285007B2NANNNNN



ALL DIMENSIONS ARE IN INCHES UNLESS NOTED OTHERWISE. DESIGN SUBJECT TO CHANGE WITH EQUIPMENT SPECIFICATIONS. ALL INFORMATION ON THIS DRAWING IS PROPRIETARY AND MAY NOT BE USED WITHOUT PERMISSION FROM PROXIMITY SYSTEMS, INC. © 2023.

9' CEILING

8' CEILING



EXT285007B2NANNNN



ALL DIMENSIONS ARE IN INCHES  
UNLESS NOTED OTHERWISE.  
DESIGN SUBJECT TO CHANGE  
WITH EQUIPMENT SPECIFICATIONS.  
ALL INFORMATION ON THIS  
DRAWING IS PROPRIETARY AND  
MAY NOT BE USED WITHOUT  
PERMISSION FROM PROXIMITY  
SYSTEMS, INC. ©2021

\*SITE BASED DECISION\*  
EXAMPLE ILLUSTRATED  
ABOVE

WWW.PROXIMITYSYSTEMS.COM

TEL: 800-437-8111

