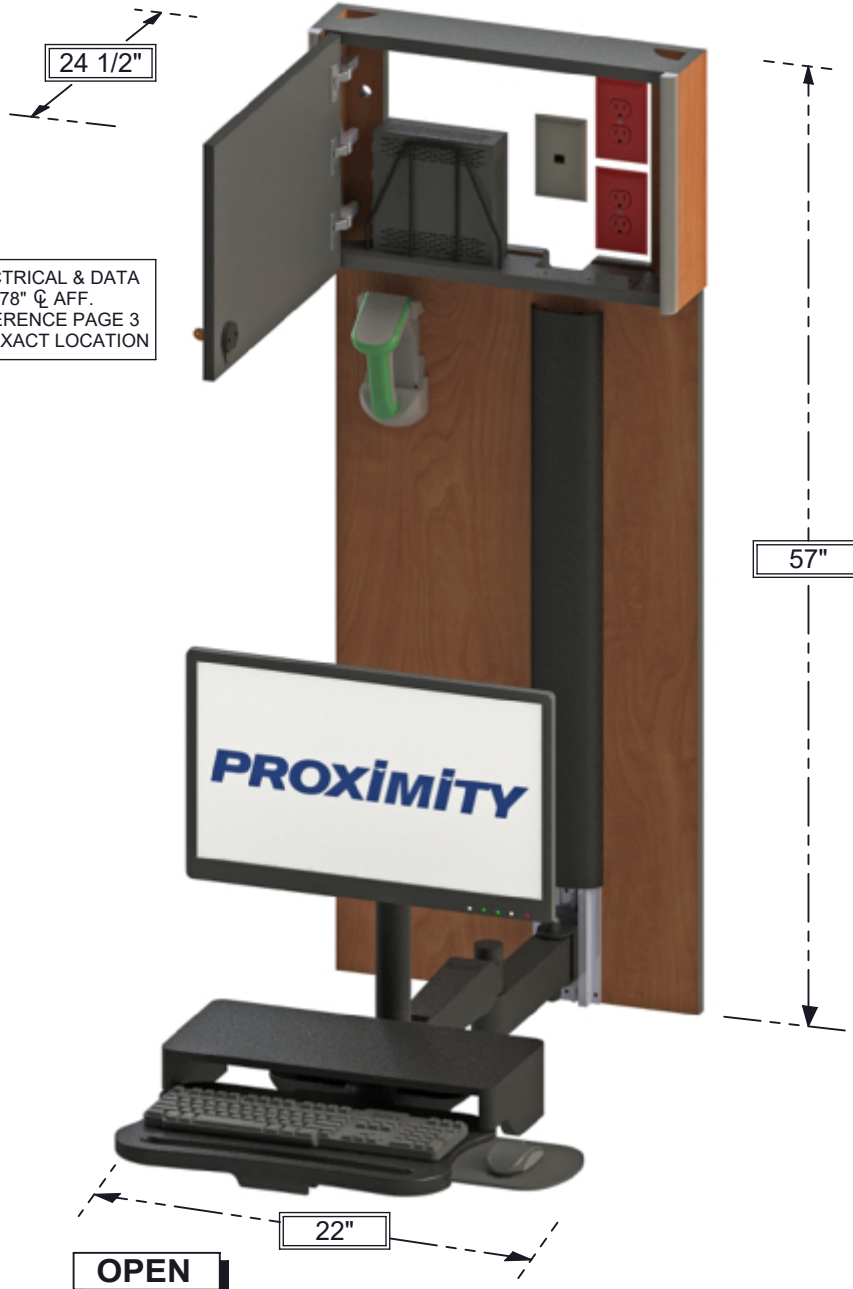




**CLOSED**



**OPEN**

ELECTRICAL & DATA  
78"  $\phi$  AFF.  
REFERENCE PAGE 3  
FOR EXACT LOCATION

WILD CHERRY  
SHOWN



SCAN ME

EXA225705N1NNNNNNN

**SPECIFICATIONS**

\*ASSUMES VESA HOLE PATTERN IS CENTERED ON MONITOR

EQUIPMENT	MAX SIZE DIMENSIONS
CPU	10"W x 10"H x 2"D
*MONITOR	23"W x 15"H x 3"D
KEYBOARD / MOUSE AREA	N/A

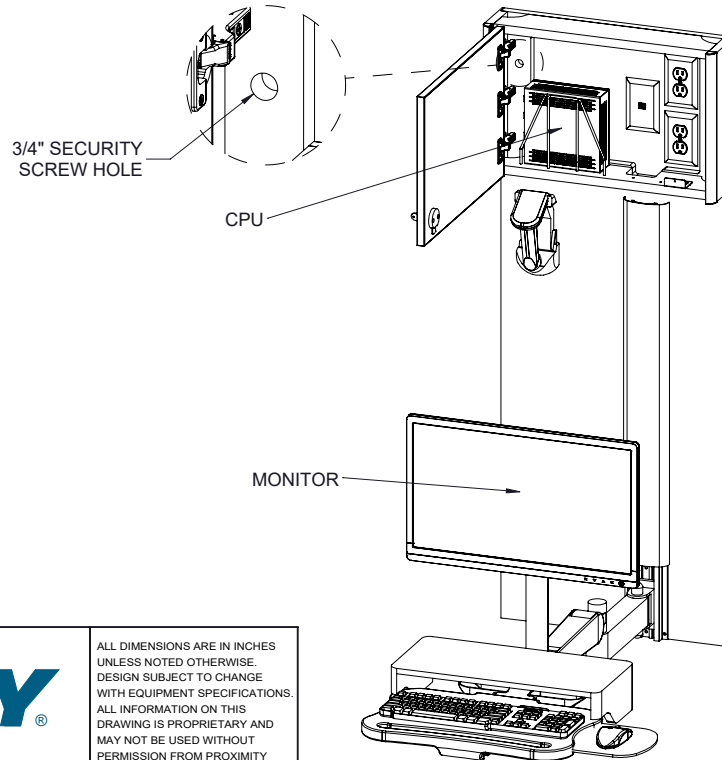
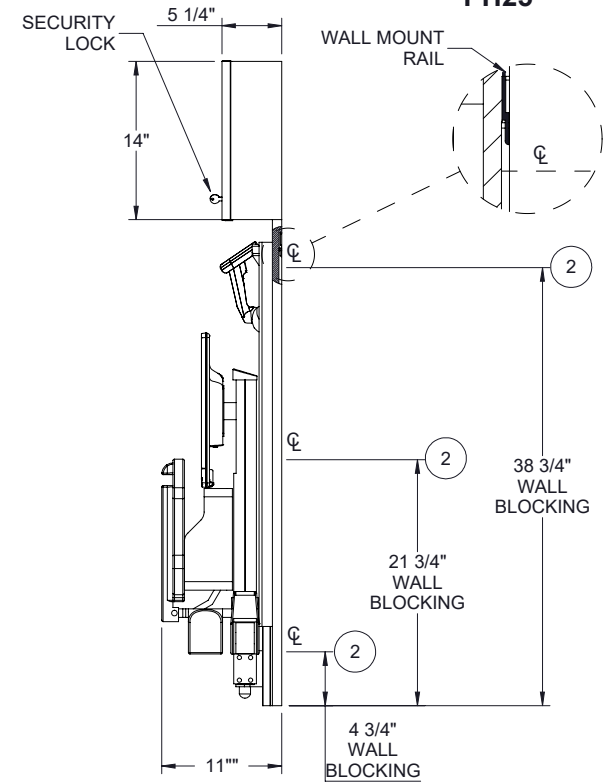
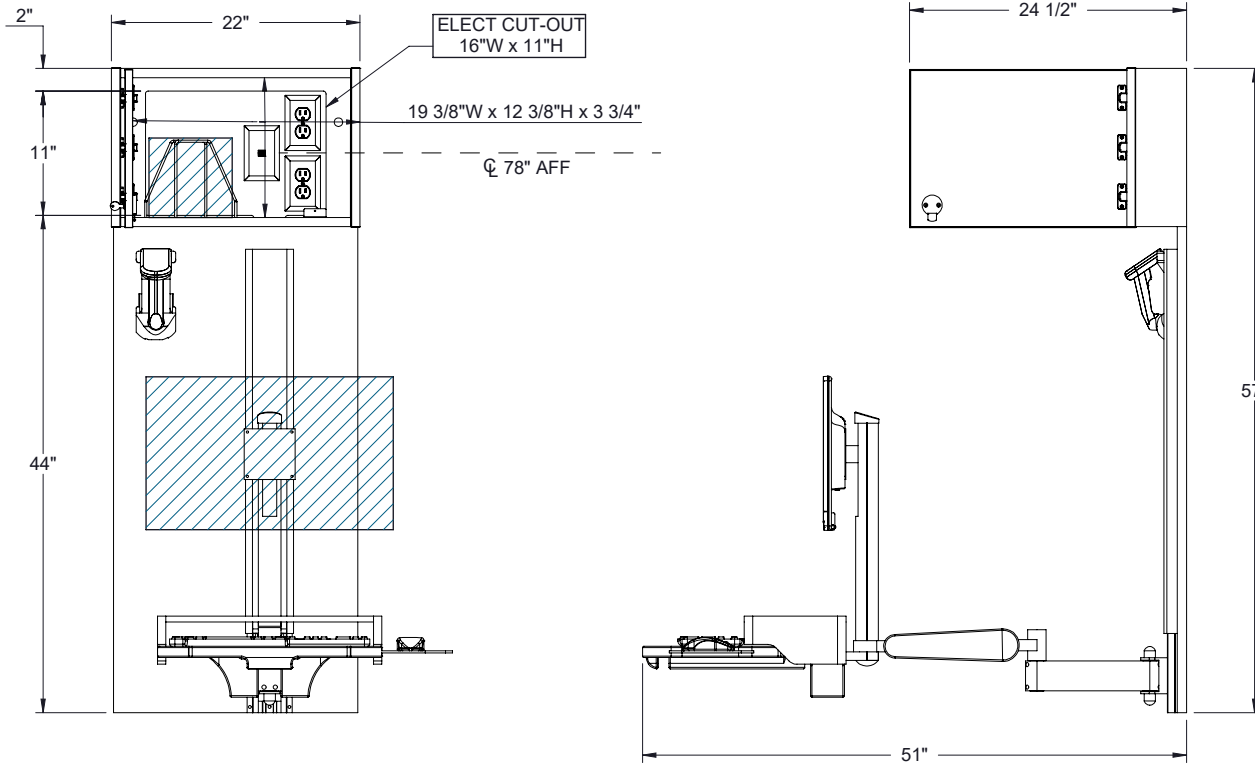
ALL DIMENSIONS ARE IN INCHES  
UNLESS NOTED OTHERWISE.  
DESIGN SUBJECT TO CHANGE  
WITH EQUIPMENT SPECIFICATIONS.  
ALL INFORMATION ON THIS  
DRAWING IS PROPRIETARY AND  
MAY NOT BE USED WITHOUT  
PERMISSION FROM PROXIMITY  
SYSTEMS, INC. © 2023.

**INCLUDED**

1. N/A
2. N/A
3. N/A



**EXA-22-SLM-ARM-RAL  
PH25**



AVAILABLE ACCESSORIES	
ITEM NO.	COMPONENTS (*NOT ALL ACCESSORIES SHOWN)
1	*EXTERNAL MOUNTING BRACKET
2	WALL MOUNT RAIL SYSTEM
3	N/A
4	N/A
5	N/A
6	N/A



SCAN ME

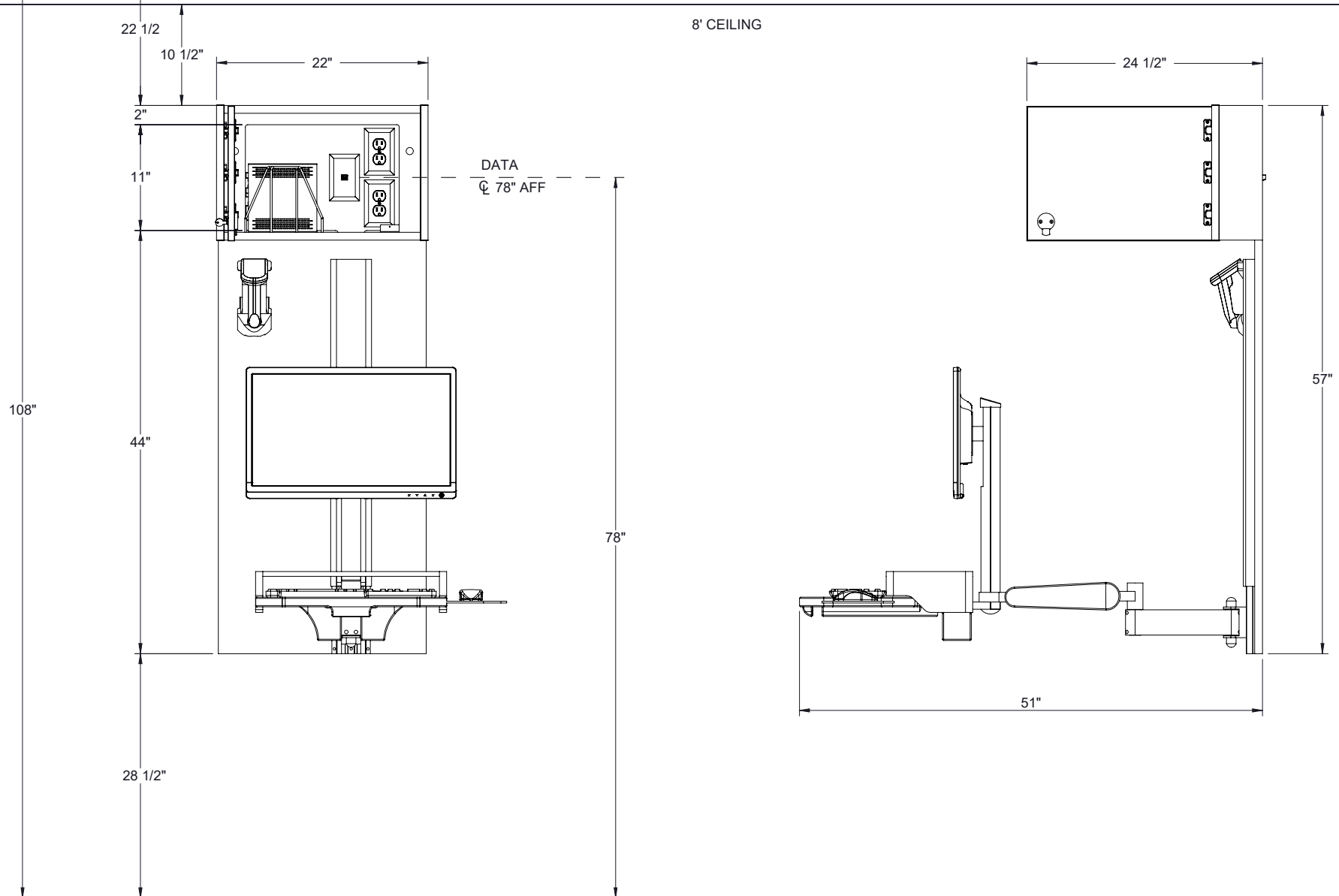
EXA225705N1NNNNNN

**PROXIMITY**

ALL DIMENSIONS ARE IN INCHES UNLESS NOTED OTHERWISE. DESIGN SUBJECT TO CHANGE WITH EQUIPMENT SPECIFICATIONS. ALL INFORMATION ON THIS DRAWING IS PROPRIETARY AND MAY NOT BE USED WITHOUT PERMISSION FROM PROXIMITY SYSTEMS, INC. © 2023.

9' CEILING

8' CEILING



FINISHED FLOOR LINE

EXA225705N1NNNNNNN



ALL DIMENSIONS ARE IN INCHES  
UNLESS NOTED OTHERWISE.  
DESIGN SUBJECT TO CHANGE  
WITH EQUIPMENT SPECIFICATIONS.  
ALL INFORMATION ON THIS  
DRAWING IS PROPRIETARY AND  
MAY NOT BE USED WITHOUT  
PERMISSION FROM PROXIMITY  
SYSTEMS, INC. © 2023.

**\*SITE BASED DECISION  
EXAMPLE ILLUSTRATED  
ABOVE**

