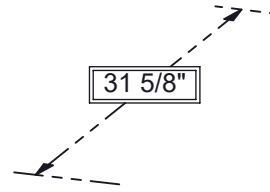




**CLOSED**



31 5/8"

ELECTRICAL & DATA  
69"  $\varnothing$  AFF.  
REFERENCE PAGE 3  
FOR EXACT LOCATION



6 1/4"

WILD CHERRY  
SHOWN



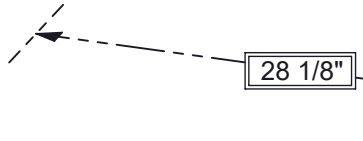
**OPEN**



40 3/4"



25 5/8"



28 1/8"



EXT284106B2NNNNNNN

**SPECIFICATIONS**

\*ASSUMES VESA HOLE PATTERN IS CENTERED ON MONITOR

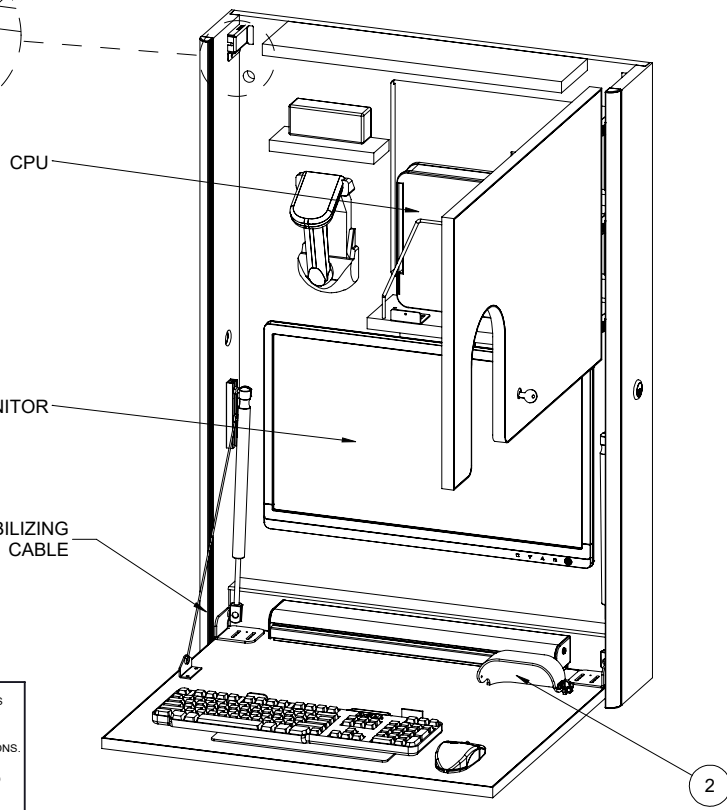
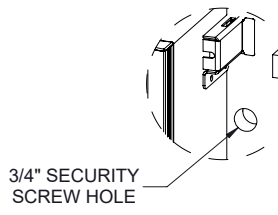
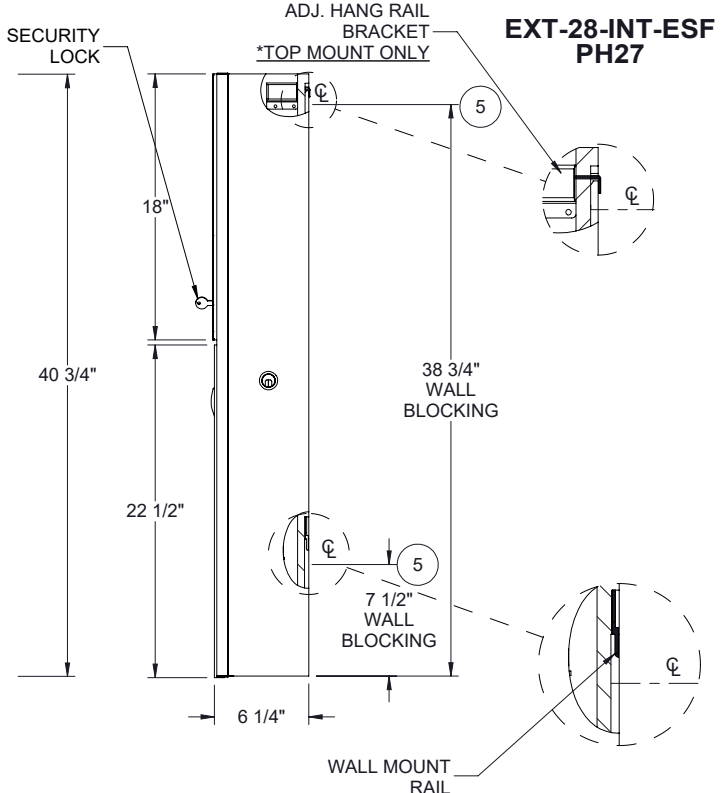
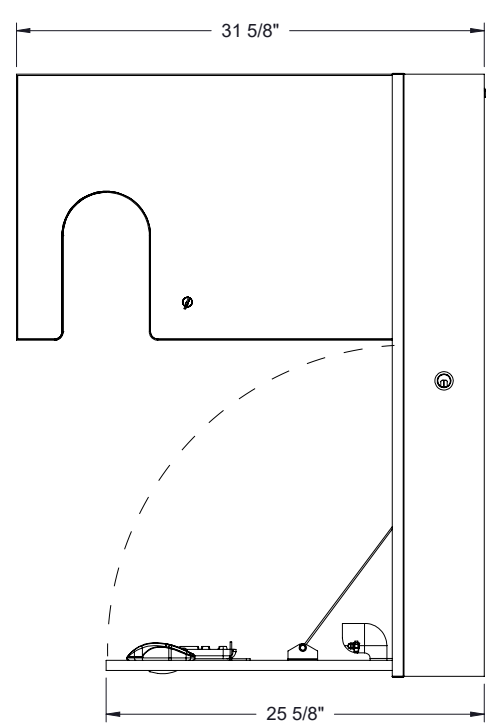
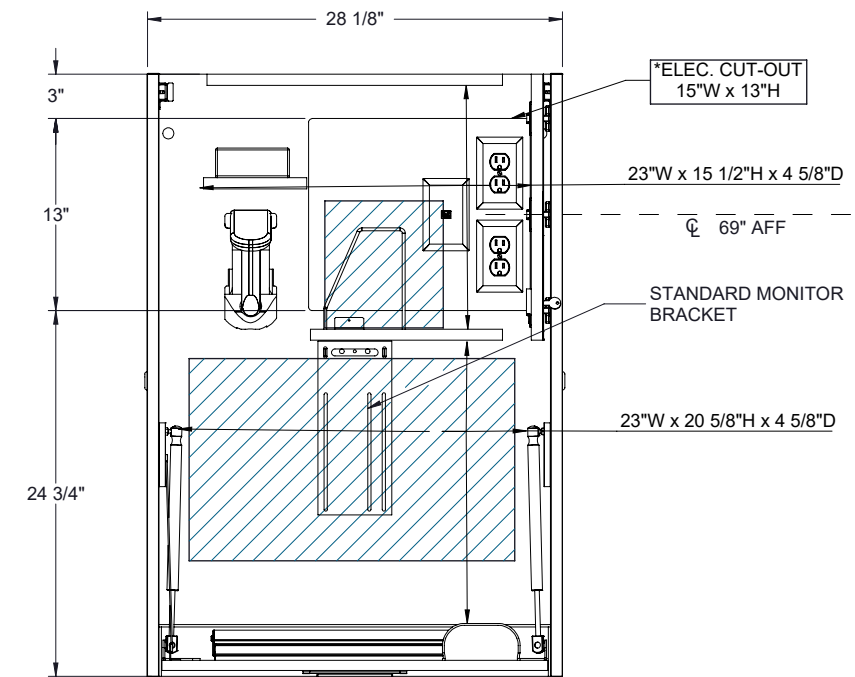
EQUIPMENT	MAX SIZE DIMENSIONS
CPU	10"W x 15"H x 2"D
*MONITOR	22"W x 15"H x 2 1/2"D
KEYBOARD / MOUSE AREA	26"W x 20"D

ALL DIMENSIONS ARE IN INCHES UNLESS NOTED OTHERWISE. DESIGN SUBJECT TO CHANGE WITH EQUIPMENT SPECIFICATIONS. ALL INFORMATION ON THIS DRAWING IS PROPRIETARY AND MAY NOT BE USED WITHOUT PERMISSION FROM PROXIMITY SYSTEMS, INC. © 2023.

**INCLUDED**

1. CPU POWER BRICK SUPPORT
2. N/A
3. N/A

**PROXIMITY**



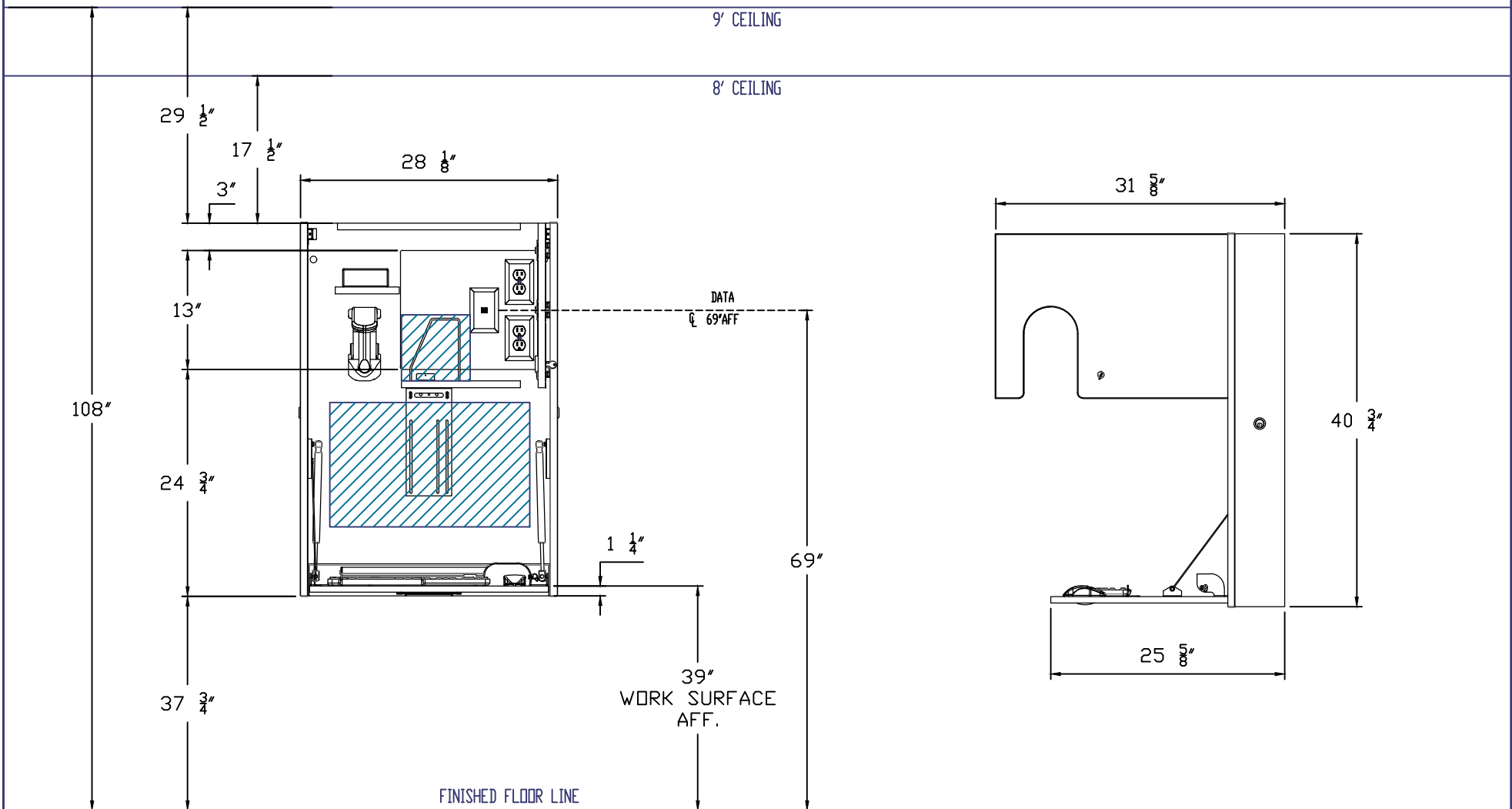
AVAILABLE ACCESSORIES	
ITEM NO.	COMPONENTS (*NOT ALL ACCESSORIES SHOWN)
1	*EXTERNAL MOUNTING BRACKET
2	MOUSE CATCHER
3	*LED LIGHT
4	*UVC - SURFACE MOUNT
5	WALL MOUNT RAIL SYSTEM
6	*INTERMEDIATE ACCESSORY KIT EM
R: B	



EXT284106B2NNNNNNN

**PROXIMITY**

ALL DIMENSIONS ARE IN INCHES  
UNLESS NOTED OTHERWISE.  
DESIGN SUBJECT TO CHANGE  
WITH EQUIPMENT SPECIFICATIONS.  
ALL INFORMATION ON THIS  
DRAWING IS PROPRIETARY AND  
MAY NOT BE USED WITHOUT  
PERMISSION FROM PROXIMITY  
SYSTEMS, INC. © 2023.



EXT284106B2NNNNNNN

**PROXIMITY**

ALL DIMENSIONS ARE IN INCHES  
UNLESS NOTED OTHERWISE.  
DESIGN SUBJECT TO CHANGE  
WITH EQUIPMENT SPECIFICATIONS.  
ALL INFORMATION ON THIS  
DRAWING IS PROPRIETARY AND  
MAY NOT BE USED WITHOUT  
PERMISSION FROM PROXIMITY  
SYSTEMS, INC. ©2020.

\*SITE BASED DECISION\*  
EXAMPLE ILLUSTRATED  
ABOVE

WWW.PROXIMITYSYSTEMS.COM

TEL: 800-437-8111

