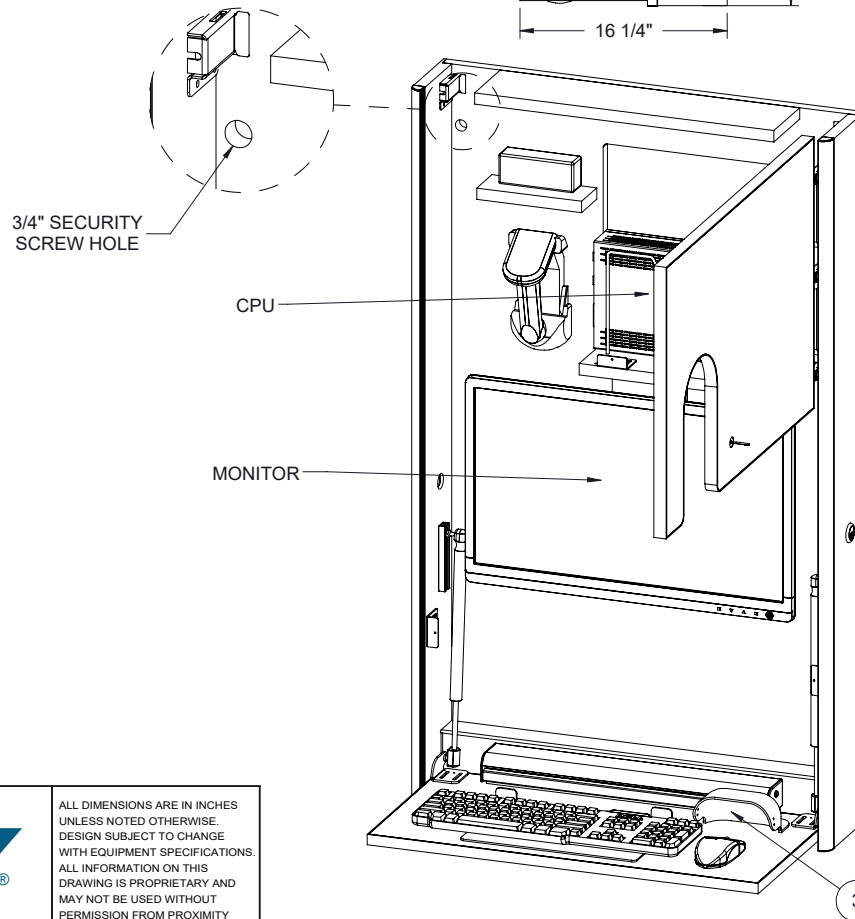
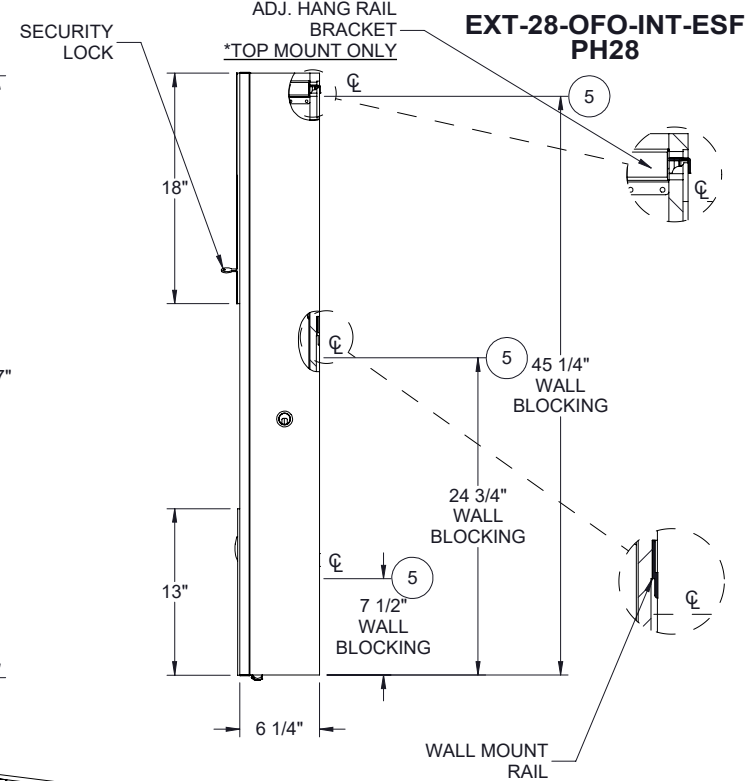
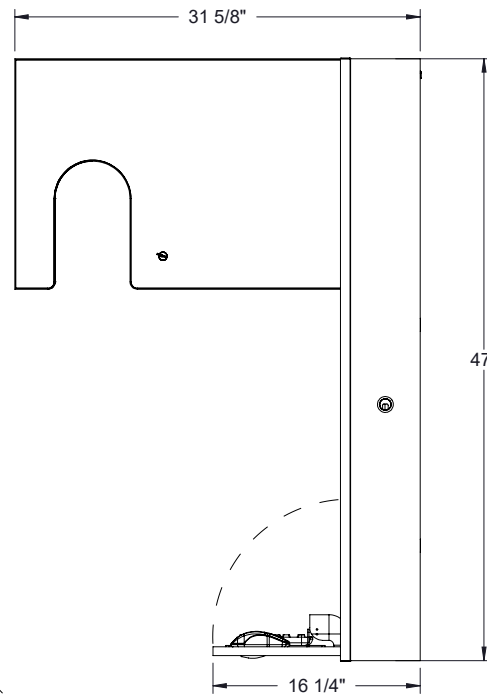
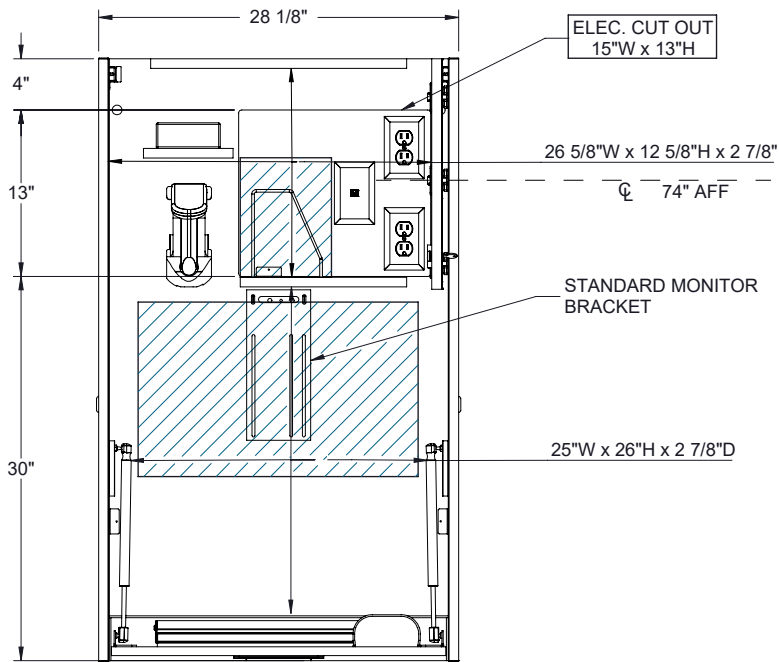


EXT284706B2NONNNNN

	SPECIFICATIONS		ALL DIMENSIONS ARE IN INCHES UNLESS NOTED OTHERWISE. DESIGN SUBJECT TO CHANGE WITH EQUIPMENT SPECIFICATIONS. ALL INFORMATION ON THIS DRAWING IS PROPRIETARY AND MAY NOT BE USED WITHOUT PERMISSION FROM PROXIMITY SYSTEMS, INC. © 2023.	INCLUDED			
	*ASSUMES VESA HOLE PATTERN IS CENTERED ON MONITOR			1. MONITOR SPACER			
	EQUIPMENT	MAX SIZE DIMENSIONS		2. CPU POWER BRICK SUPPORT			
	CPU	10"W x 15"H x 2"D		3. N/A			
*MONITOR	24"W x 15 1/2"H x 2 1/2"D		REV: B	DRW BY: ZG	REV BY: ZG	REV DATE: JAN-1-2023	SHEET 1 OF 2
KEYBOARD / MOUSE AREA	26"W x 11"D						
WWW.PROXIMITYSYSTEMS.COM	TEL: 800-437-8111						



AVAILABLE ACCESSORIES	
ITEM NO.	COMPONENTS (*NOT ALL ACCESSORIES SHOWN)
1	*EXTERNAL MOUNTING BRACKET
2	*LED LIGHT
3	MOUSE CATCHER
4	*TILT MONITOR BRACKET
5	WALL MOUNT RAIL SYSTEM
6	*INTERMEDIATE ACCESSORY KIT EM
R: B	SHEET 2 OF 2

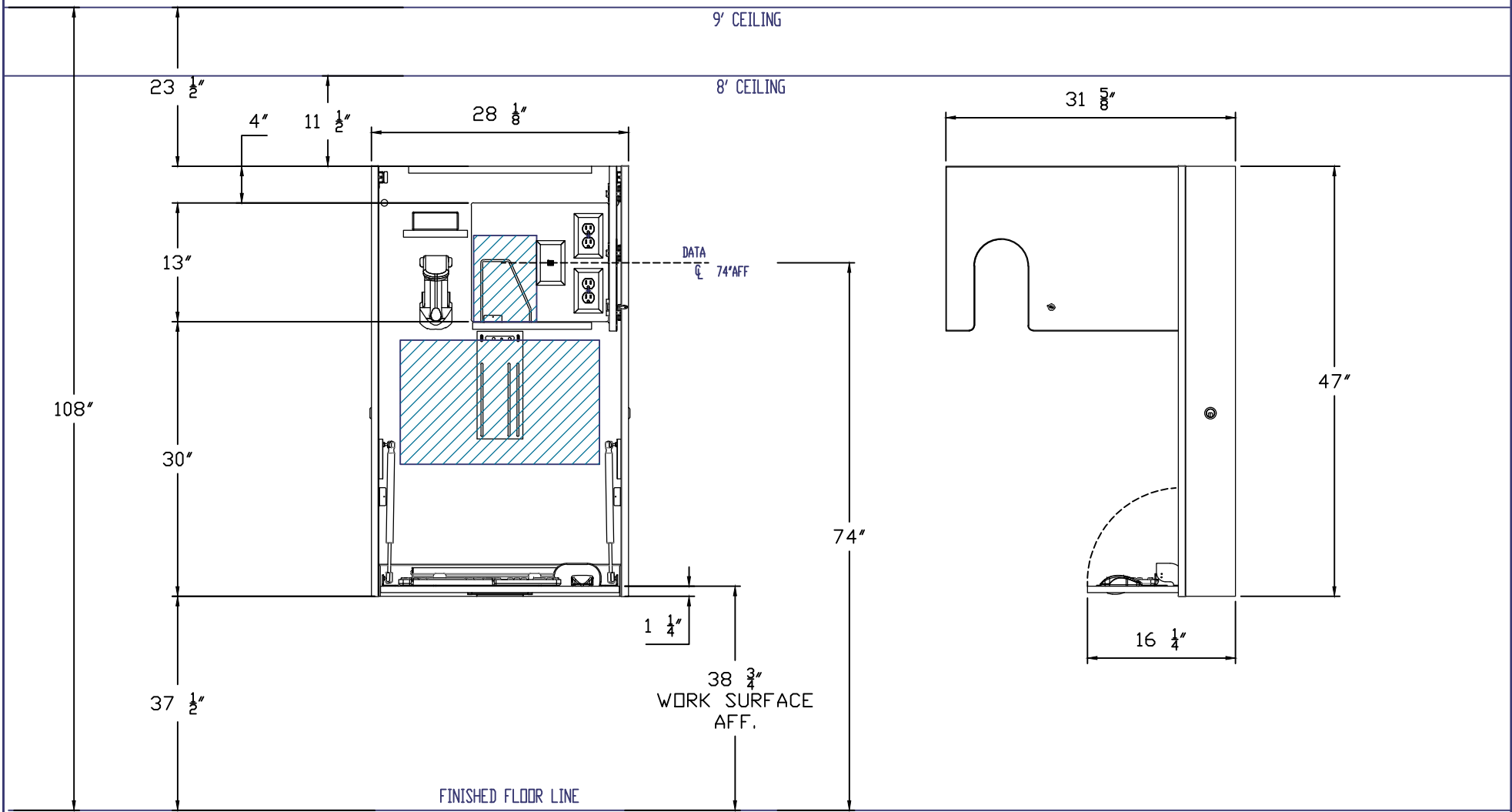


SCAN ME

EXT284706B2NONNNNN

PROXIMITY

ALL DIMENSIONS ARE IN INCHES UNLESS NOTED OTHERWISE. DESIGN SUBJECT TO CHANGE WITH EQUIPMENT SPECIFICATIONS. ALL INFORMATION ON THIS DRAWING IS PROPRIETARY AND MAY NOT BE USED WITHOUT PERMISSION FROM PROXIMITY SYSTEMS, INC. © 2023.



EXT284706B2NDNNNN

PROXIMITY

WWW.PROXIMITYSYSTEMS.COM

TEL: 800-437-8111

ALL DIMENSIONS ARE IN INCHES
UNLESS NOTED OTHERWISE.
DESIGN SUBJECT TO CHANGE
WITH EQUIPMENT SPECIFICATIONS.
ALL INFORMATION ON THIS
DRAWING IS PROPRIETARY AND
MAY NOT BE USED WITHOUT
PERMISSION FROM PROXIMITY
SYSTEMS, INC. ©2015

SITE BASED DECISION
EXAMPLE ILLUSTRATED
ABOVE



SCAN ME