



CLOSED



OPEN

ELECTRICAL & DATA
22 1/4" \varnothing AFF.
REFERENCE PAGE 3
FOR EXACT LOCATION

WILD CHERRY
SHOWN



MOD305407B1NONNNNN

SPECIFICATIONS

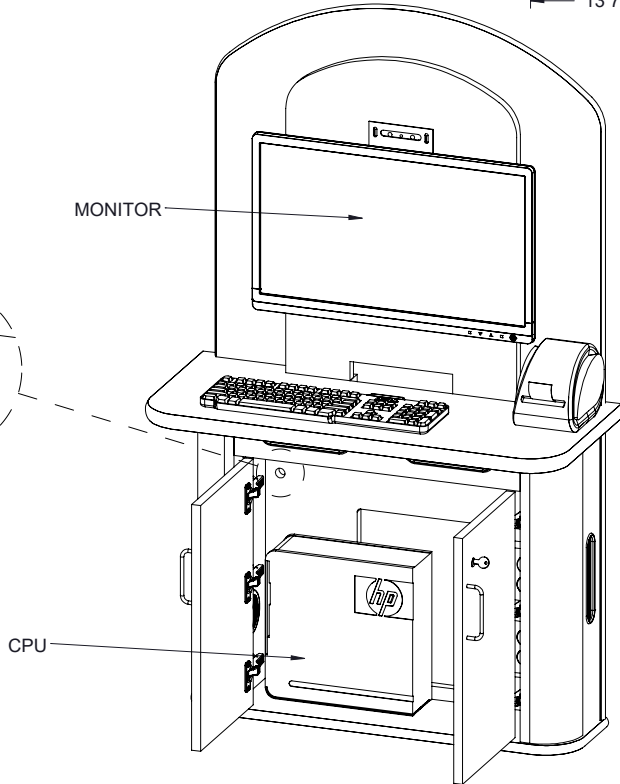
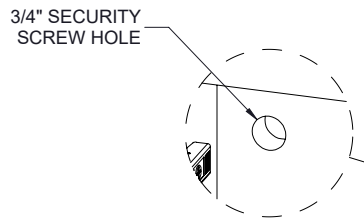
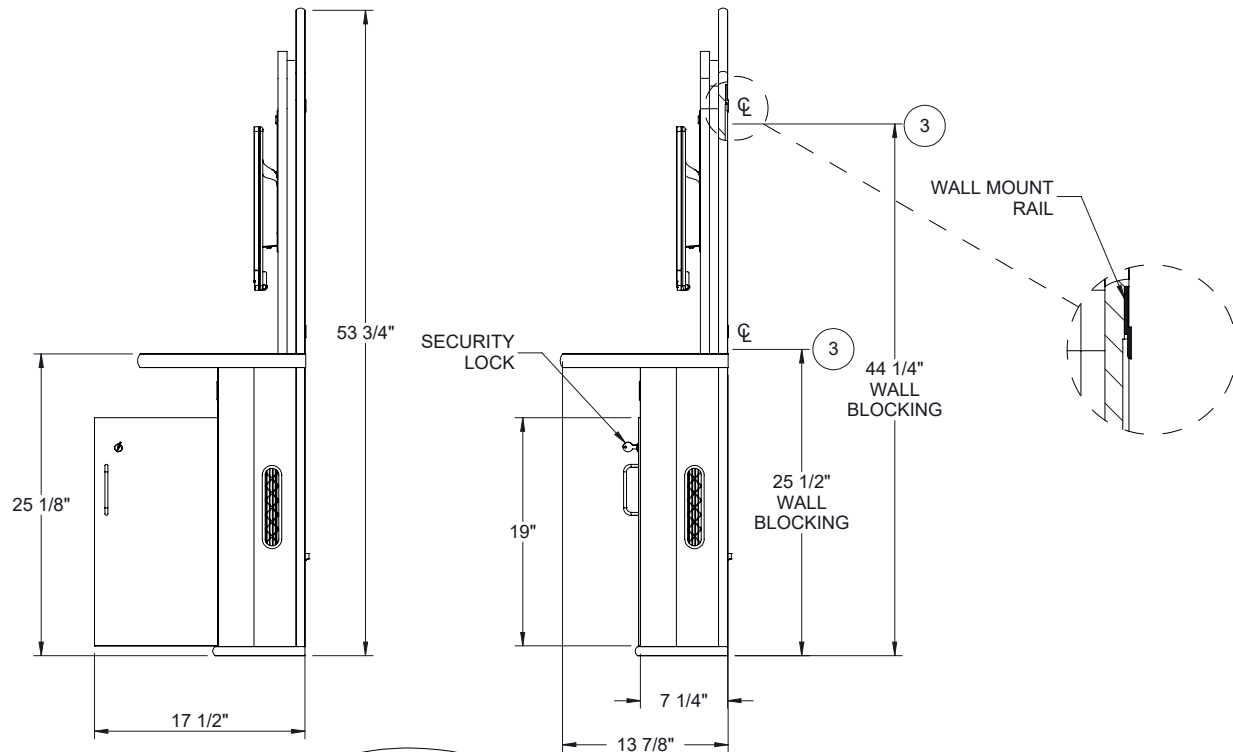
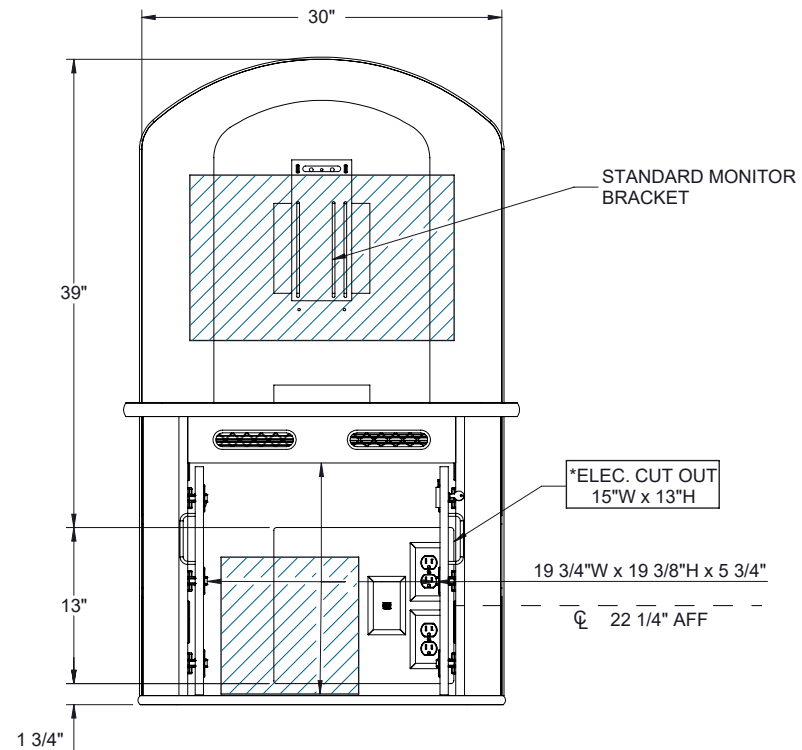
*ASSUMES VESA HOLE PATTERN IS CENTERED ON MONITOR

EQUIPMENT	MAX SIZE DIMENSIONS
CPU	15"W x 15"H x 5"D
*MONITOR	23"W x 15"H x 2 1/2"D
KEYBOARD / MOUSE AREA	32 5/8"W x 11 1/2"D

ALL DIMENSIONS ARE IN INCHES
UNLESS NOTED OTHERWISE.
DESIGN SUBJECT TO CHANGE
WITH EQUIPMENT SPECIFICATIONS.
ALL INFORMATION ON THIS
DRAWING IS PROPRIETARY AND
MAY NOT BE USED WITHOUT
PERMISSION FROM PROXIMITY
SYSTEMS, INC. © 2023.

INCLUDED

1. PLATE TO FASTEN PRINTER
2. N/A
3. N/A



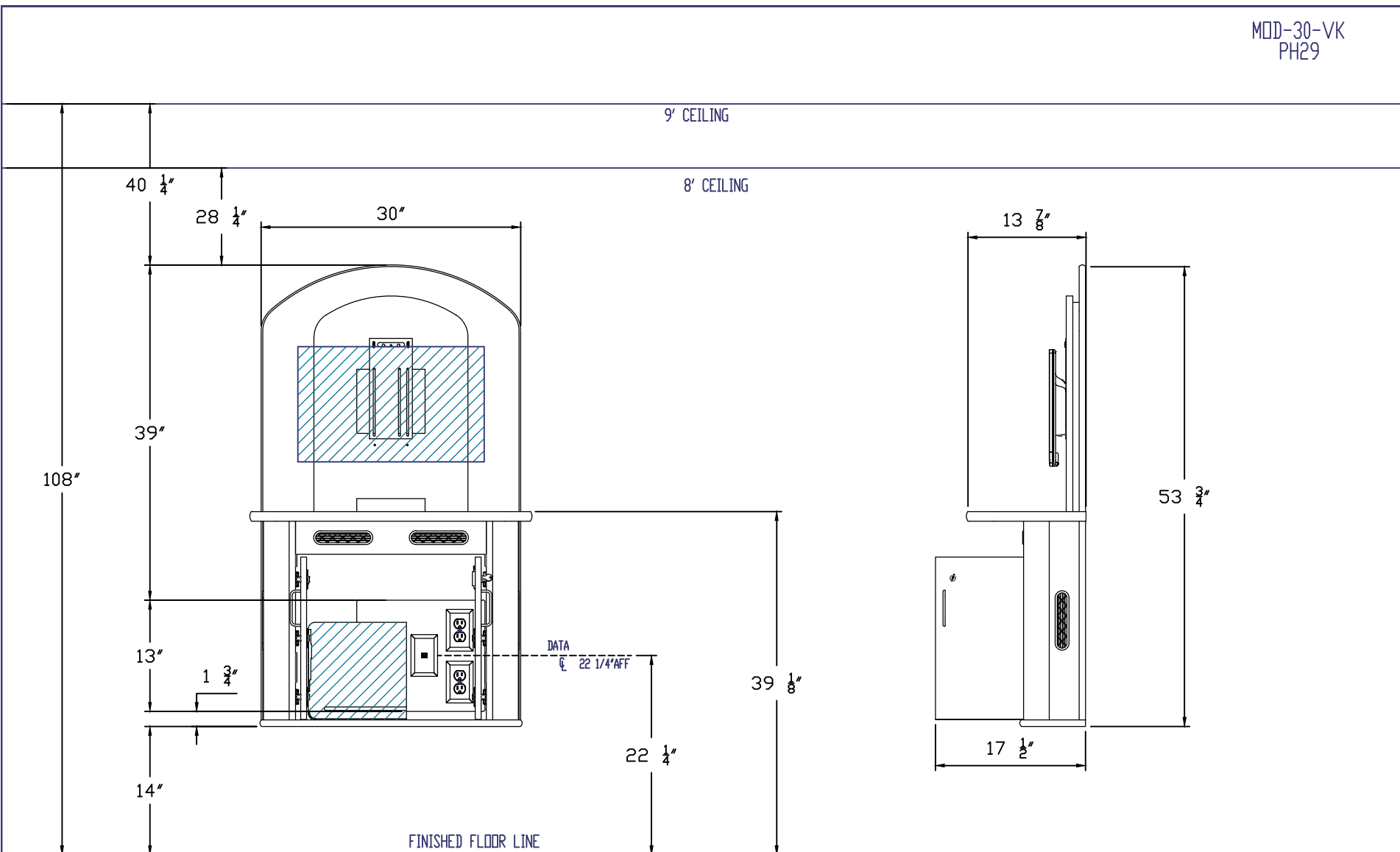
AVAILABLE ACCESSORIES	
ITEM NO.	COMPONENTS (*NOT ALL ACCESSORIES SHOWN)
1	*TILT MONITOR BRACKET
2	*UVC - SURFACE MOUNT
3	WALL MOUNT RAIL SYSTEM
4	N/A
5	N/A
6	N/A



MOD305407B1NONNNNN

PROXIMITY

ALL DIMENSIONS ARE IN INCHES
UNLESS NOTED OTHERWISE.
DESIGN SUBJECT TO CHANGE
WITH EQUIPMENT SPECIFICATIONS.
ALL INFORMATION ON THIS
DRAWING IS PROPRIETARY AND
MAY NOT BE USED WITHOUT
PERMISSION FROM PROXIMITY
SYSTEMS, INC. © 2023.



MOD305407B1NDNNNNN

PROXIMITY

WWW.PROXIMITYSYSTEMS.COM

TEL: 800-437-8111

ALL DIMENSIONS ARE IN INCHES
UNLESS NOTED OTHERWISE.
DESIGN SUBJECT TO CHANGE
WITH EQUIPMENT SPECIFICATIONS.
ALL INFORMATION ON THIS
DRAWING IS PROPRIETARY AND
MAY NOT BE USED WITHOUT
PERMISSION FROM PROXIMITY
SYSTEMS, INC. ©2021

SITE BASED DECISION
EXAMPLE ILLUSTRATED
ABOVE

