



CLOSED



OPEN

WILD CHERRY
SHOWN

10 3/8"

25 1/4"

ELECTRICAL & DATA
78" \varnothing AFF.
REFERENCE PAGE 3
FOR EXACT LOCATION

59"

29 7/8"

28 1/8"



SCAN ME

CWT285910N3NNNNNN

SPECIFICATIONS

*ASSUMES VESA HOLE PATTERN IS CENTERED ON MONITOR

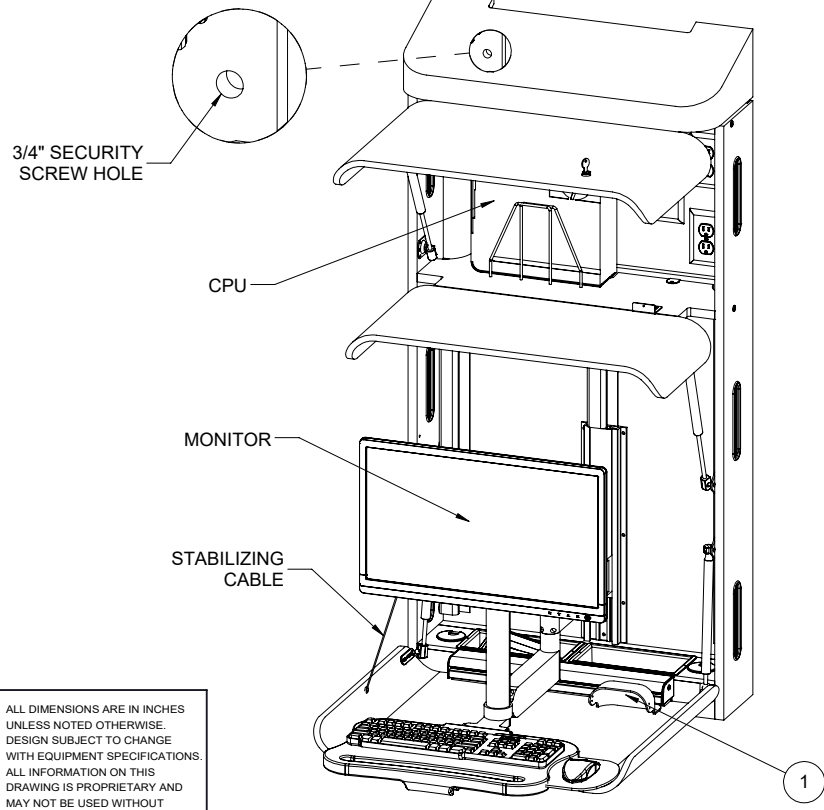
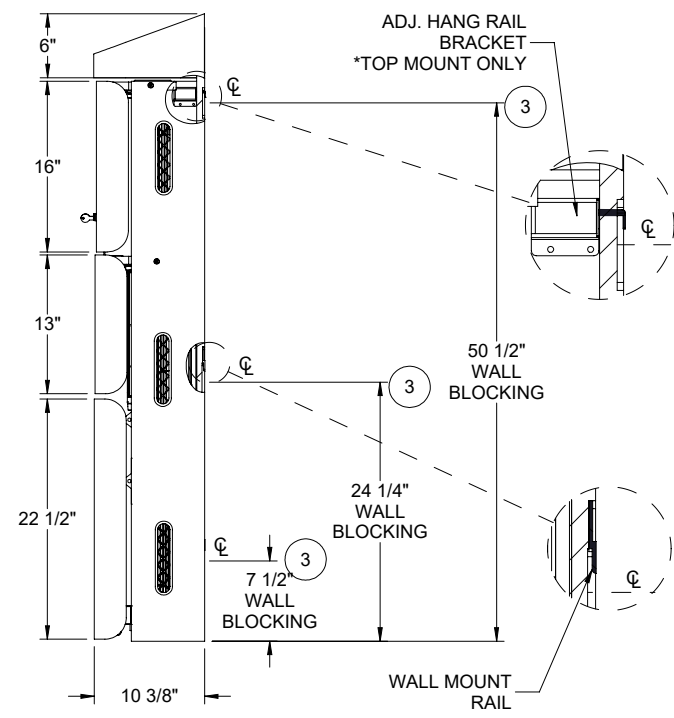
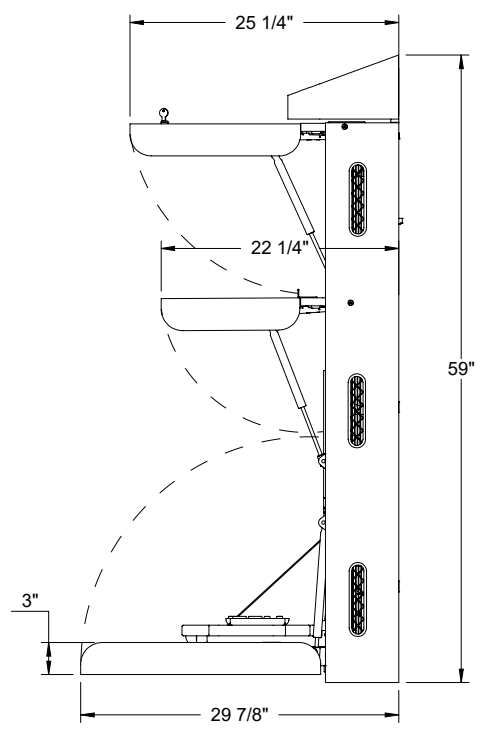
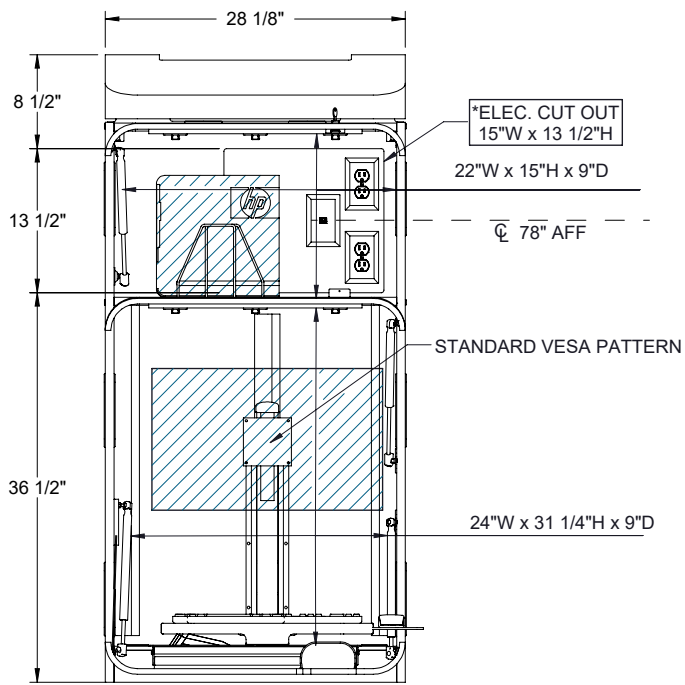
EQUIPMENT	MAX SIZE DIMENSIONS
CPU	15"W x 13"H x 6"D
*MONITOR	23"W x 15"H x 2"D
KEYBOARD / MOUSE AREA	22"W x 20"D

ALL DIMENSIONS ARE IN INCHES
UNLESS NOTED OTHERWISE.
DESIGN SUBJECT TO CHANGE
WITH EQUIPMENT SPECIFICATIONS.
ALL INFORMATION ON THIS
DRAWING IS PROPRIETARY AND
MAY NOT BE USED WITHOUT
PERMISSION FROM PROXIMITY
SYSTEMS, INC. © 2023.

INCLUDED

1. N/A
2. N/A
3. N/A

**CWT-28-ARM-RAL
PH31**



AVAILABLE ACCESSORIES	
ITEM NO.	COMPONENTS (*NOT ALL ACCESSORIES SHOWN)
1	MOUSE CATCHER
2	*UVC - SURFACE MOUNT
3	WALL MOUNT RAIL SYSTEM

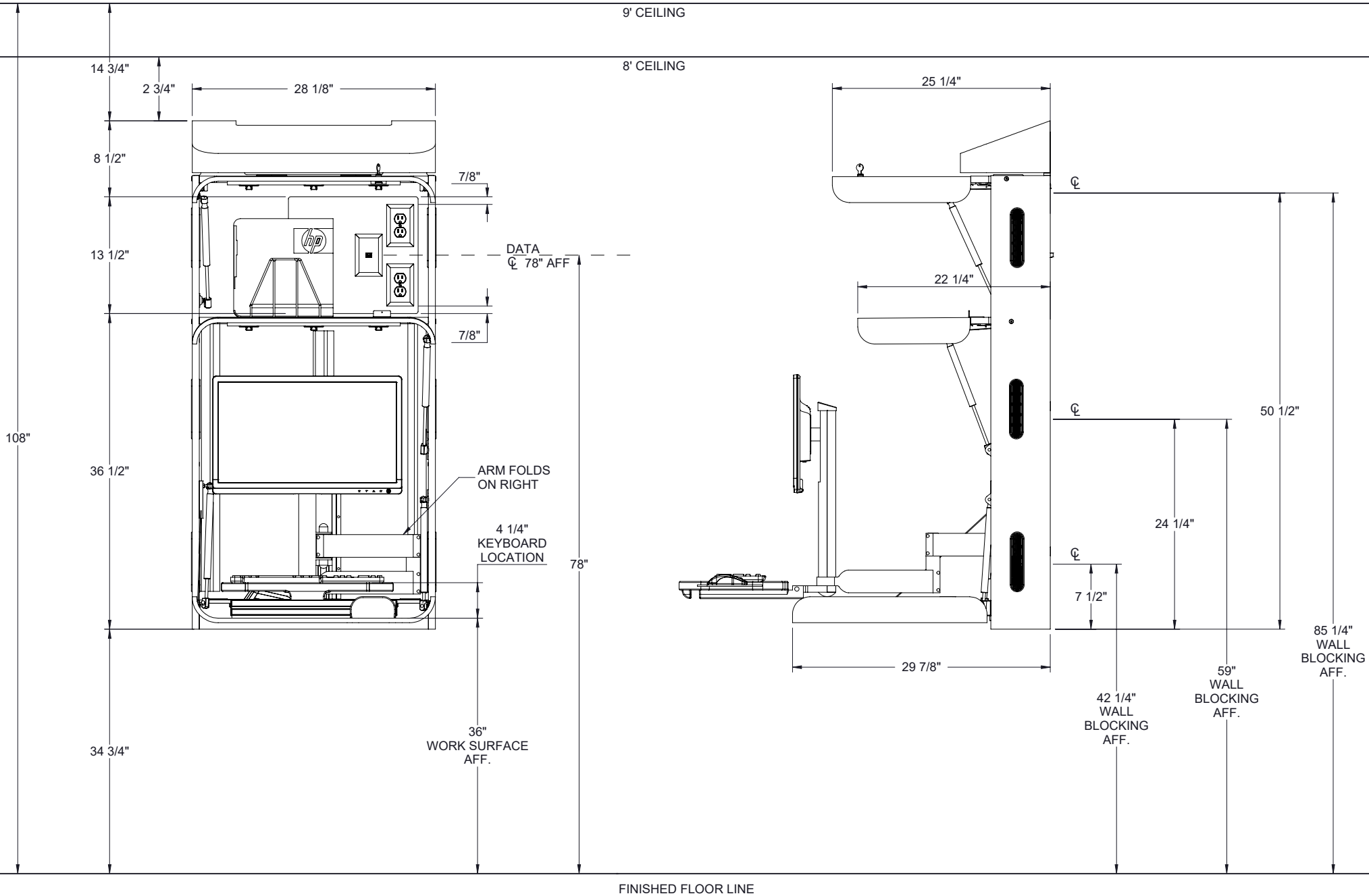


SCAN ME

CWT285910N3NNNNNNN

PROXIMITY

ALL DIMENSIONS ARE IN INCHES UNLESS NOTED OTHERWISE. DESIGN SUBJECT TO CHANGE WITH EQUIPMENT SPECIFICATIONS. ALL INFORMATION ON THIS DRAWING IS PROPRIETARY AND MAY NOT BE USED WITHOUT PERMISSION FROM PROXIMITY SYSTEMS, INC. © 2023.



CWT285910N3NNNNNNN



ALL DIMENSIONS ARE IN INCHES
UNLESS NOTED OTHERWISE.
DESIGN SUBJECT TO CHANGE
WITH EQUIPMENT SPECIFICATIONS.
ALL INFORMATION ON THIS
DRAWING IS PROPRIETARY AND
MAY NOT BE USED WITHOUT
PERMISSION FROM PROXIMITY
SYSTEMS, INC. © 2023.

SITE BASED DECISION
EXAMPLE ILLUSTRATED
ABOVE

